

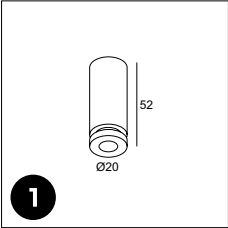
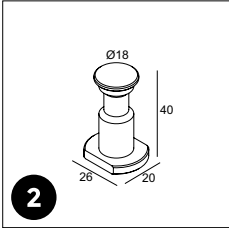
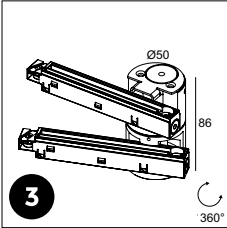
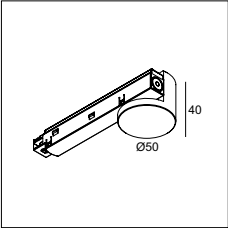
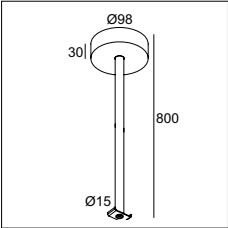
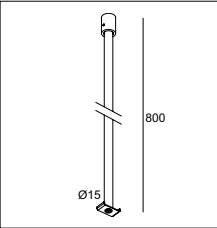
SHIFTLINE M26 L MATRIX

Unlimited flexibility is what the Shiftline M26 L Matrix system stands for. These clever add-ons to the Shiftline M26 L profiles allow you to couple multiple profiles to each other and create any structure you want. Our 2P Connector not only assures the electrical connection between two profiles, it also serves as a decorative element as its cylindrical shape is perfectly in contrast with the straight lines of the profile. Moreover, this contrast can be enhanced by choosing the Gold Coloured finish for these nodes, a bold statement where design meets functionality.

To complete the Matrix system, an additional ceiling fixation and a non electrical connector allow for unlimited creativity as one is free to connect multiple profiles any way they want. Moreover, the new Side Supply finishes it off in style as it is designed according to the looks of the 2P Connector.

www.deltalight.com/shiftlinem26l

PRO

					
SLM26L-CEILING FIXATION	SLM26L-2P SUPPORT	SLM26L-2P CONNECTOR 48V	SLM26L-SIDE SUPPLY 48V	SLM - ROD SUSPENSION 0,8m + CONNECTION	SLM - ROD SUSPENSION 0,8m
23358 9830 ◊	23358 9820 ◊	23358 9810 ◊	23358 1540 ◊	23358 1510 ◊	23358 1520 ◊
◊ B	◊ B	◊ B / GC	◊ B	◊ B / W	◊ B / W
0,1	0,1	48V-DC MAX. 200W SUPPLY / MAX.50m ◊ 0,7 IP20	48V-DC MAX. 200W SUPPLY / MAX.50m ◊ 0,1 IP20	0,5 EXCL. CABLING	0,3 EXCL. CABLING

