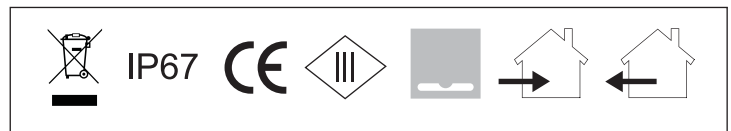
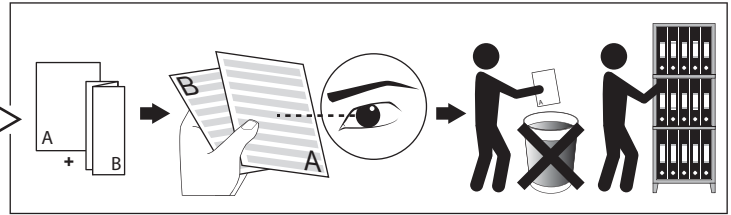
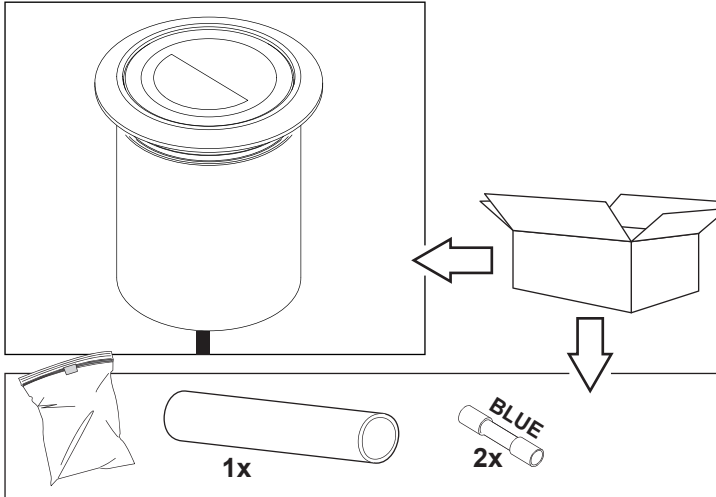


LOGIC 60 R A MOON

DEEL
PARTIE
TEIL
PART
PARTE
PARTE

A



IP67

Stofdicht - Beschermd tegen effecten van tijdelijke indompeling
 Etanche aux poussières - Protégé contre les effets de l'immersion temporaire
 Staubdicht - Geschützt gegen vorübergehend Eintaucheffekte
 Dust-tight - Protected against the effects of temporary immersion
 Hermético al polvo - Protegido contra los efectos de la inmersión temporal
 A tenuta di polvere - Protetto contro gli effetti dell'immersione temporaneo

1

ATTENTION
 OBSERVE PRECOUSIONS FOR
 HANDLING ELECTROSTATIC
 DISCHARGE SENSITIVE
 DEVICES

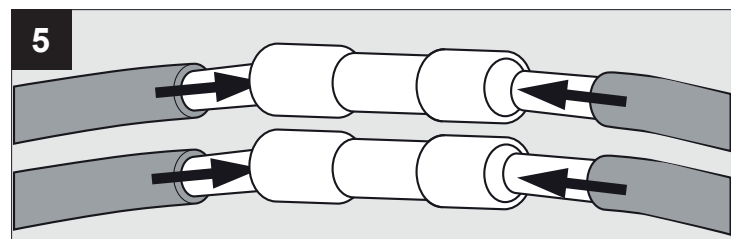
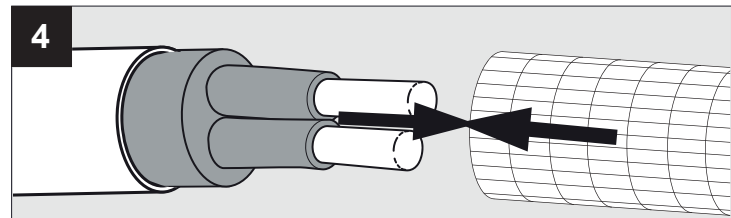
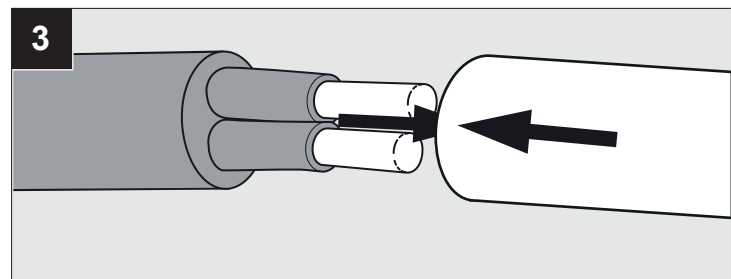
NO SECONDARY SWITCHING

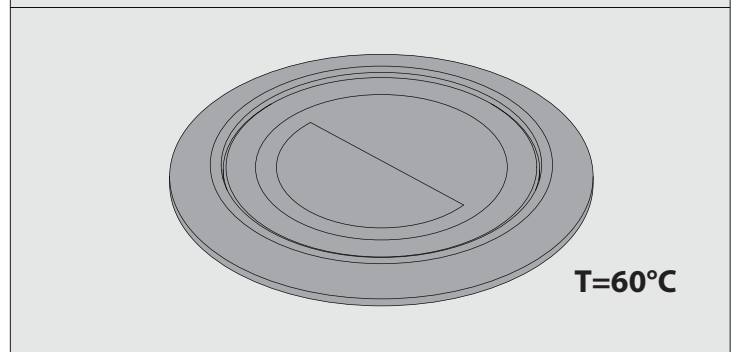
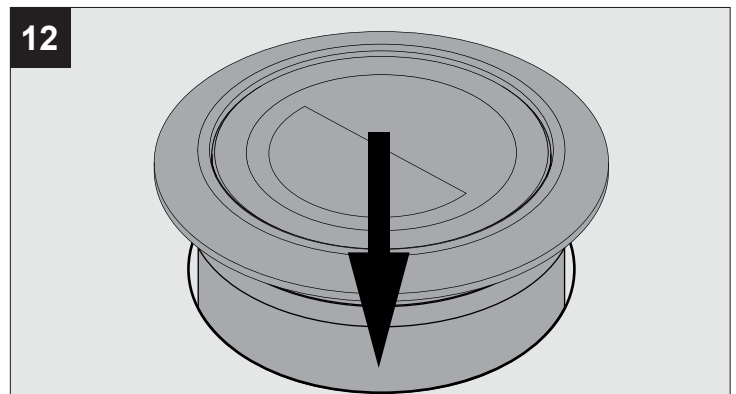
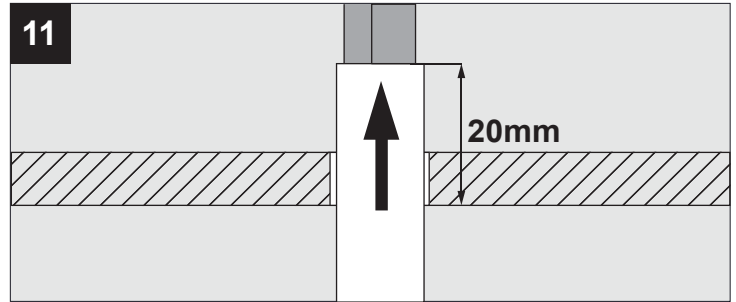
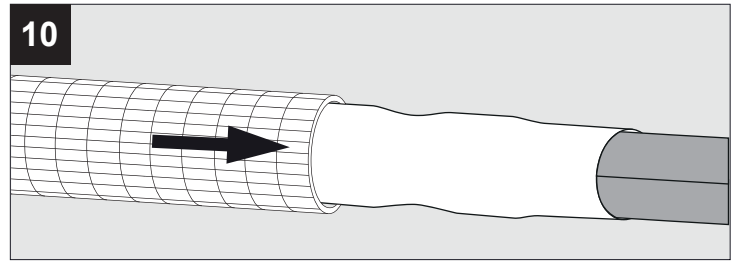
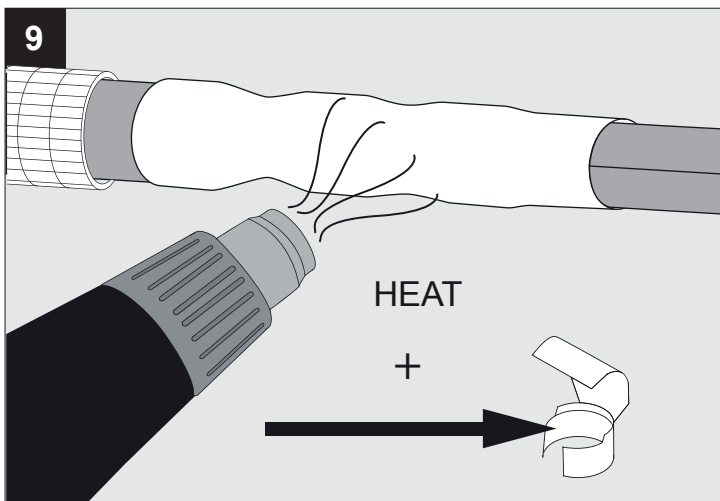
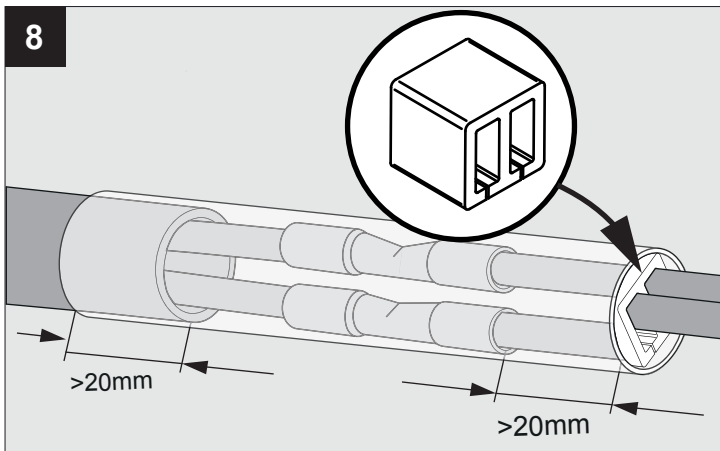
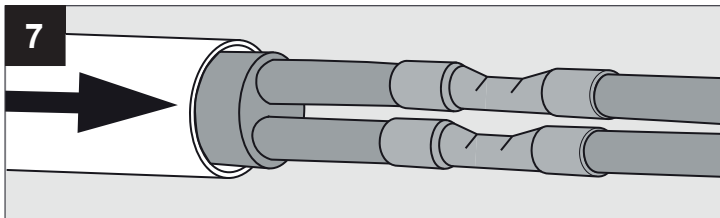
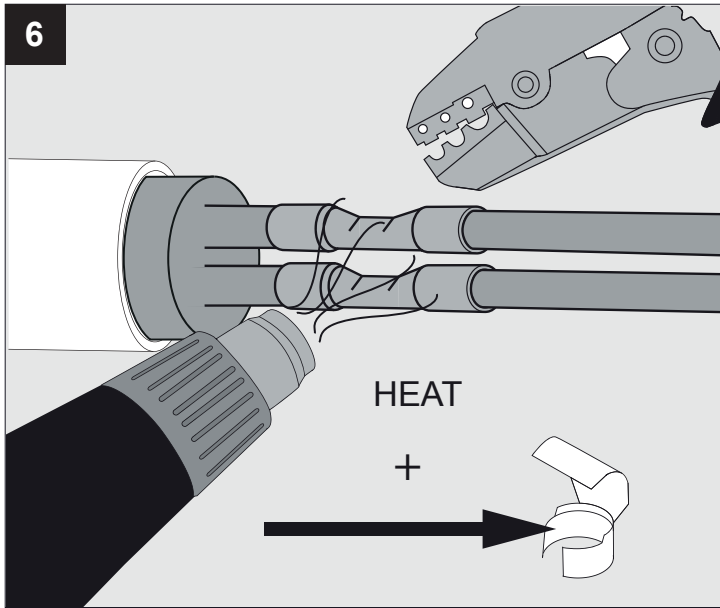
I_o	350mA
P_o	7,1W
U_f Typical	20,2V-DC

OPTIONS
 LOGIC BOX 60 R
 213 19 10
 CBOX
 216 12 00

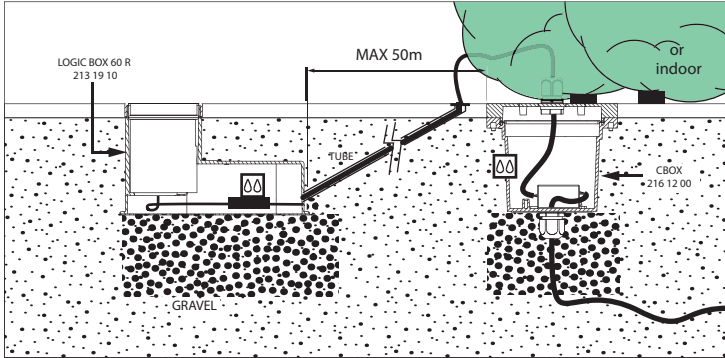
2

H05 - V V - U
 min. Ø 6 mm
 max. Ø 12 mm





DE GARANTIE VERVALT INDIEN HET TOESTEL NIET GEÏNSTALLEERD IS IN DE BIJHORENDE LOGIC BOX
 UNE INSTALLATION SANS GENIE BOX ENTRAINE LA PERTE AUTOMATIQUE DE LA GARANTIE
 DIE GARANTIE ERLISCHT, WENN DIE LEUCHTE NICHT IN DER ENTSPRECHENDEN LOGIC BOX INSTALLIERT WIRD
 THE GUARANTEE IS VOID IF THE FIXTURE IS NOT INSTALLED IN THE LOGIC BOX
 LA GARANTIA ES NULA SI LA LUMINARIA NO SE INSTALA CON EL LOGIC BOX
 LA GARANZIA NON È VALIDA SE L'APPARECCHIO NON VIENE MONTATO NELL'APPOSITA LOGIC BOX



WARNING

ANY CLAIM TO A WARRANTY SHALL BECOME NULL AND VOID IF THE DEVICE IS NOT INSTALLED WITH THE SUITABLE BOX (OPTIONAL) PROVIDED BY DELTALIGHT N.V.

- Use only power supplies that are certified according to the applicable IEC or UL safety standards.
- Use only SELV power supplies.
- Check the ratings of the power supply with those of the luminaire. The maximum current rating must be taken into account.
- The indicated typical voltage must not be used to select a constant voltage power supply but is intended to be used to select a constant current power supply that is able to cover that typical voltage.
- Take appropriate ESD measures. Avoid touching bare conductors.
- Leds or led luminaires that require a current controlled power supply must never be connected in parallel.
- Leds can be damaged by the contact with certain chemicals or chemical gasses. Therefore led domes or led engines should never be cleaned with chemical substances. The following substances have proven to have a negative influence on the performance and must not be used in the direct environment of a led luminaire.
 - Methyl acetate or ethyl acetate (i.e., nail polish remover)
 - Cyanoacrylates (i.e., "Superglue")
 - Glycol ethers (including Radio Shack® Precision Electronics Cleaner - dipropylene glycol monomethyl ether)
 - Formaldehyde or butadiene (including Ashland PLIOBOND® adhesive)
 - Dymax 984-LVUF conformal coating
 - Loctite Sumo Glue
 - Gorilla Glue
 - Bleach, Bleach-containing cleaners, sprays
 - Loctite 384 adhesive
 - Loctite 7387 activator
 - Loctite 242 threadlocker
- Remove insulation and/or provide sufficient ventilation so that the indicated max Tc is not surpassed.
- Leds are susceptible to switching transients. Therefore switching must be done in the primary circuit of the power supply.
- DELTA LIGHT recommends to use the power supplies that are indicated in the Lighting Bible.
- Respect polarity
- Don't test LED luminaires one by one on a powersupply that is switched on.

De verlichtingsbron van dit verlichtingstoestel zal enkel door de fabrikant of door de fabrikant aangestelde installateur vervangen worden.

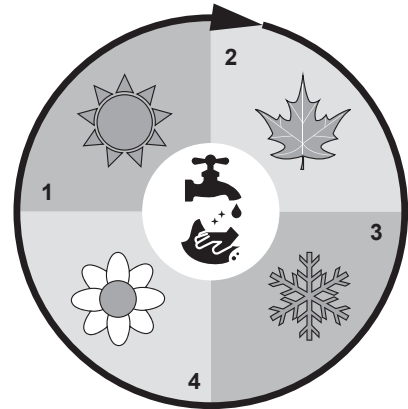
La source lumière de cet appareil ne sera remplacée que par l'entreprise ou par un agent reconnu.

Das enthaltene Leuchtmittel sollte nur durch entsprechendes Fachpersonal ersetzt werden.

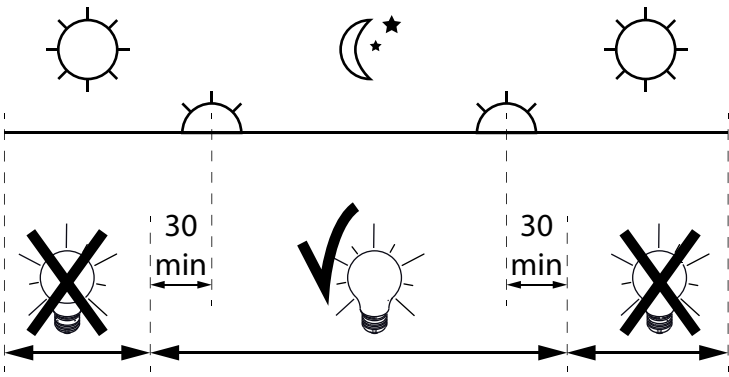
The light source contained in this luminaire shall only be replaced by the manufacturer or his service agent.

La fuente de iluminación que tiene esta luminaria sólo puede remplazarse por el fabricante o por un instalador autorizado.

La sorgente luminosa incorporata in questo apparecchio può essere sostituita solo dal produt tore, da un suo centro assistenza oppure da una persona in possesso della necessaria abilitazione.



CAUTION! CLEAN AT LEAST QUARTERLY WITH WATER AND NON-ABRASIVE CLOTH



Dagelijkse ontstekingsperiode toegestaan
 Durée quotidienne d'allumage admissible
 Erlaubte tägliche einschaltdauer
 Allowed daily operation period
 Period giornaliero di accensione ammesso
 Periodo diario de encendido permitido