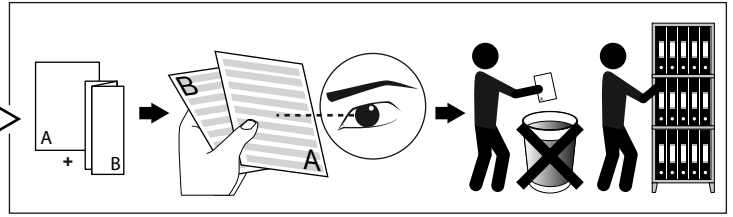
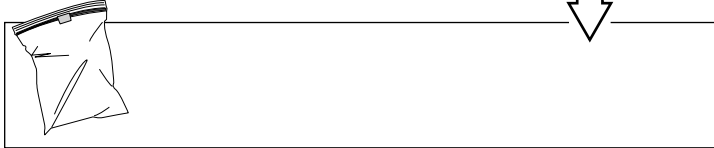


WIRELESS CONTROL 24V RGB 3x4A

DEEL
PARTIE
TEIL
PART
PARTE
PARTE **A**



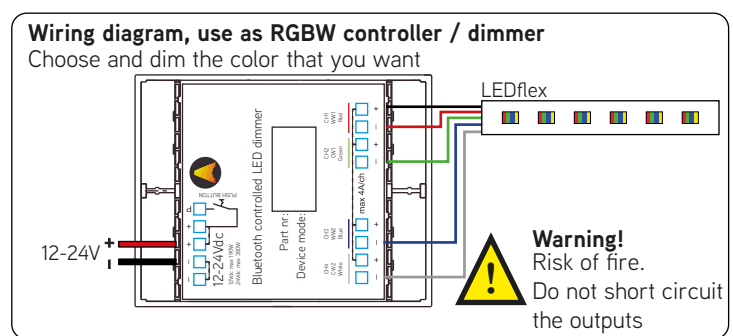
Warning!

 Only qualified professionals should make the connections. Disconnect the mains of the used power supply prior to installation

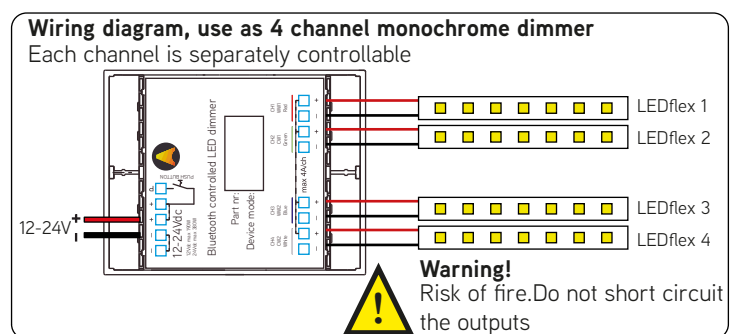
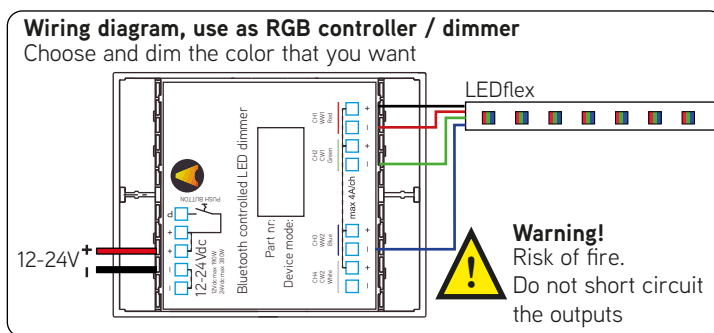
IP20
 Beschermd tegen vaste voorwerpen die groter zijn dan 12 mm
 Protégé contre les objets solides de plus de 12 mm
 Geschützt gegen Festkörper größer als 12 mm
 Protected against solid objects greater than 12 mm
 Protegido contra objetos sólidos superiores a 12 mm
 Protetto contro oggetti solidi più grandi di 12 mm

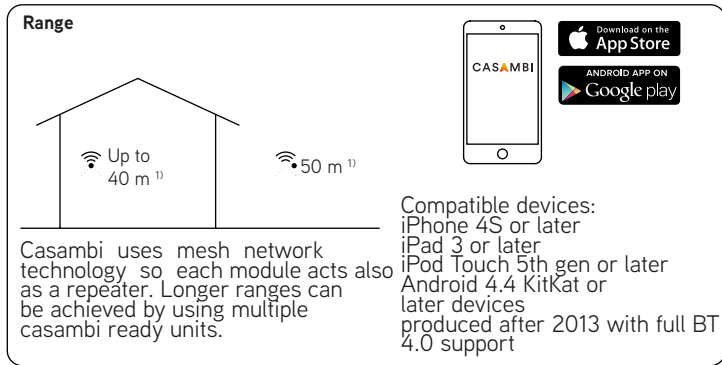
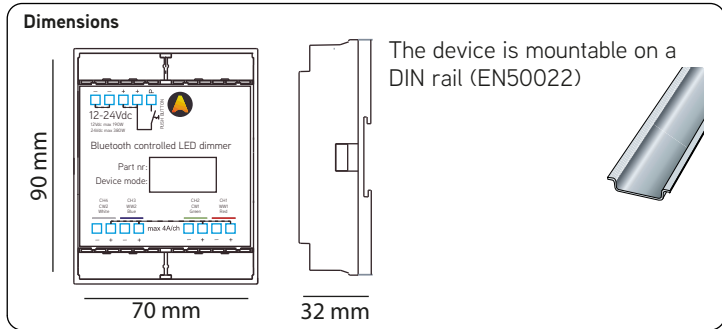
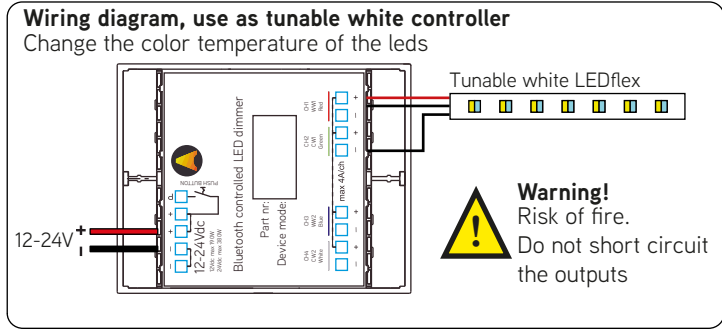
Enkel geschikt voor toestellen op zeer lage spanning (minder dan 50 V-AC / 120 V-DC)
 Convient uniquement pour les produits à très basse tension (moins de 50 V-AC / 120 V-DC)
 Geeignet für Güter mit sehr niedriger Spannung (unter 50 V-AC / 120 V-DC)
 Only suited for goods at very low voltage (below 50 V-AC / 120 V-DC)
 Se recomienda únicamente para aquellos productos de tensión muy baja (menos de 50 V-AC / 120 V-DC)
 Vale unicamente per i prodotti a tensione molto bassa (inferiore a 50 V-AC / 120 V-DC)

Description
 This casambi ready led controller/dimmer is designed to be used with several types of LEDflex. It can also be used to control led light that are driven by a constant voltage driver. The voltage that is connected at the input will be found at the output so be sure that the used power supply and led type are rated on the same voltage.
 The module is available in different software version so monochrome, RGB and RGBW is possible. Be aware you order the correct partnumber so you have the correct software for project.
 The module also has a push button connection. This can be used to control the connect led lights. Short press will result in ON or OFF and a long press will dim the light until you release the button. The push button can also be configured to control a scene or another casambi module in the same network



Note 1. This device is a built-in class II device. Use double insulated wires or an external mounting box if the device is not mounted inside another insulated device.





*Range is highly dependant on the surrounding and obstacles, such as walls and building materials.

Technical data

Input

Voltage range: 12 - 24Vdc

Output

Output amps: 4A per channel
Voltage range: 12 - 24Vdc (same as input)

Push button input

Max. current: 0.2 mA @ 24Vdc Vcc

Radio transceiver

Operating frequencies: 2,4...2,483 Ghz
Maximum output power: +4 dBm

Operating conditions

Ambient temperature, ta: -20...+45°C
Storage temperature: -25...+75 °C
Max. relative humidity: 0...80%, non-cond.

Connectors

Wire range, solid & stranded: 0,2-2,5 mm²
Tightening torque: 0,4 Nm/4 Kgf.cm/2,6 Lb-In

Mechanical data

Dimensions: 90 x 70 x 32 mm
Weight: 0,1 Kg
Degree of protection: IP20 (indoor use only)

Partnumbers

4ch monochrome dimmer	164 19 24 10 56
1ch tunable white	164 19 24 13 20
RGB	164 19 24 10 57
RGBW	164 19 24 10 58