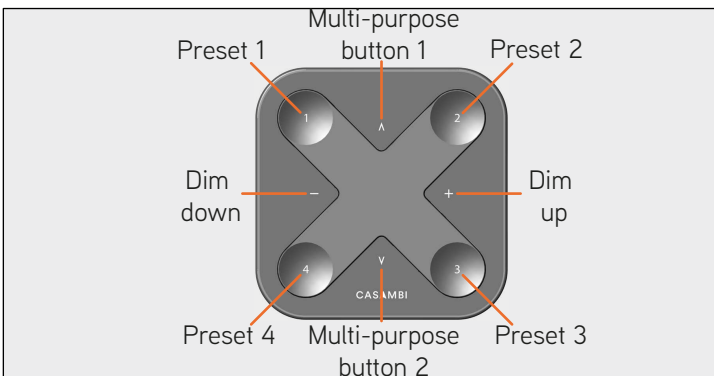
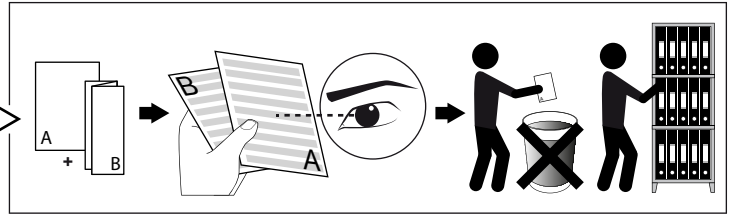
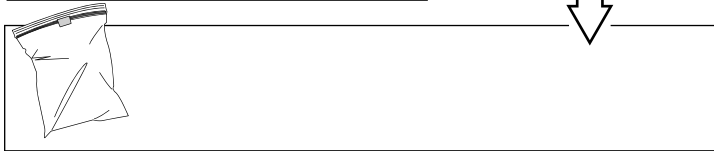


WIRELESS SWITCHBOARD - 4 FUNCTIONS

DEEL
PARTIE
TEIL
PART
PARTE
PARTE **A**



The Preset buttons of Xpress can be configured via the Casambi app. A light indicates the selected preset.

Dim up, Dim down:

- Smooth dimming of last chosen preset

Multipurpose buttons:

- Change of coloyur temperature in steps of 25 Kelvin
- Change of the indirect/direct ratio

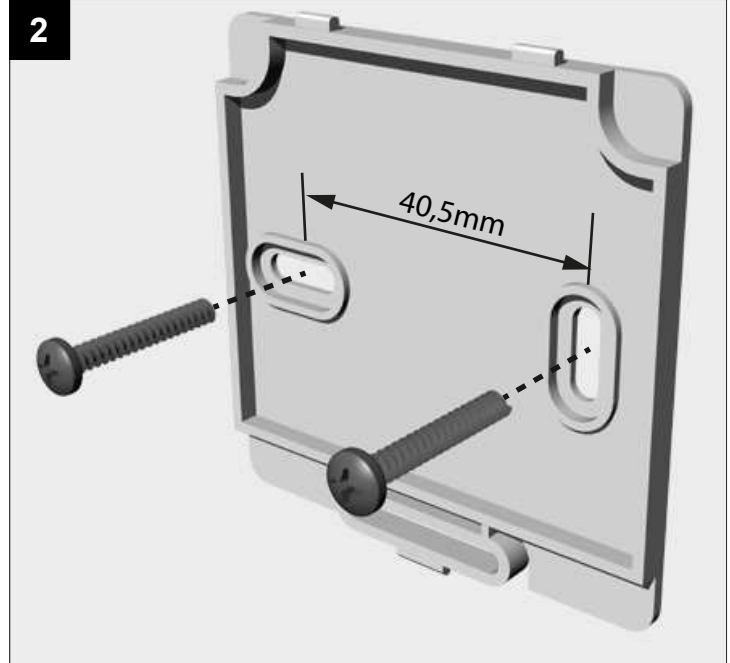
Preset buttons:

- Individual luminaire control
- Group control
- Control of all lamps
- Recall scenes
- Recall animations

IP20
 Beschermd tegen vaste voorwerpen die groter zijn dan 12 mm
 Protégé contre les objets solides de plus de 12 mm
 Geschützt gegen Festkörper größer als 12 mm
 Protected against solid objects greater than 12 mm
 Protegido contra objetos sólidos superiores a 12 mm
 Protetto contro oggetti solidi più grandi di 12 mm

III
 Enkel geschikt voor toestellen op zeer lage spanning (minder dan 50 V-AC / 120 V-DC)
 Convient uniquement pour les produits à très basse tension (moins de 50 V-AC / 120 V-DC)
 Geeignet für Güter mit sehr niedriger Spannung (unter 50 V-AC / 120 V-DC)
 Only suited for goods at very low voltage (below 50 V-AC / 120 V-DC)
 Se recomienda únicamente para aquellos productos de tensión muy baja (menos de 50 V-AC / 120 V-DC)
 Vale unicamente per i prodotti a tensione molto bassa (inferiore a 50 V-AC / 120 V-DC)

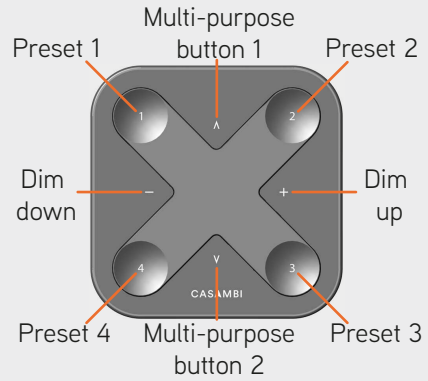
Xpress is a wireless user interface that brings huge flexibility to interior design as furniture can be replaced or even walls can be rebuilt without having to take wiring of switches or switch placement into account. The switch can be kept wherever the user needs it and it gives direct access to all the important Casambi lighting control functionalities.





Technical Facts

| | |
|------------------|-------------------------------|
| Size | 90 x 90 x 12 mm |
| Battery | CR 2430 Lithium-ion |
| Battery lifetime | 2-5 years, depending on usage |
| Colours | White and black |
| Range | Up to 60 meters in open air |



Smart Functions

Dimming:

Hold the Dim down or Dim up button:

- Smooth dimming of last chosen preset, cycle takes 5 seconds

Tap the Dim down button:

- Chosen preset goes to 0%

Tap the Dim up button:

- Chosen preset goes to 100%

Preset buttons:

Tap:

- The chosen preset (lamp control, group control, all lamps, scene recall or animation recall) will turn on

Tap again:

- The chosen preset (lamp control, group control, all lamps, scene recall or animation recall) will turn off

Colour temperature:

Hold the multipurpose button:

- Changes colour temperature smoothly, cycle takes 5 seconds

Tap the upper Multipurpose button:

- Changes to the warmest colour temperature

Tap the lower Multipurpose button:

- Changes to the coldest colour temperature

Indirect/direct ratio:

Hold the upper multipurpose button:

- Dims up smoothly the indirect lighting, cycle takes 5 seconds

Hold the lower multipurpose button:

- Dims up smoothly the direct lighting, cycle takes 5 seconds

Tap the upper multipurpose button:

- The indirect part goes to max level*

Tap the lower multipurpose button:

- The direct part goes to max level*

*Sum of indirect/direct in all cases 100%

Turn off:

Press the dim down or dim up button for 2,5 seconds

- Turns all lights off in selected network