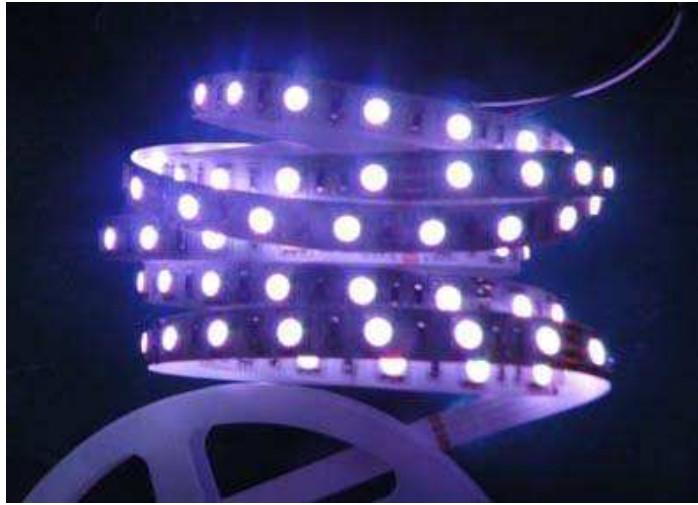


**LEDFLEX IN RGB**

**300 91 53 33**



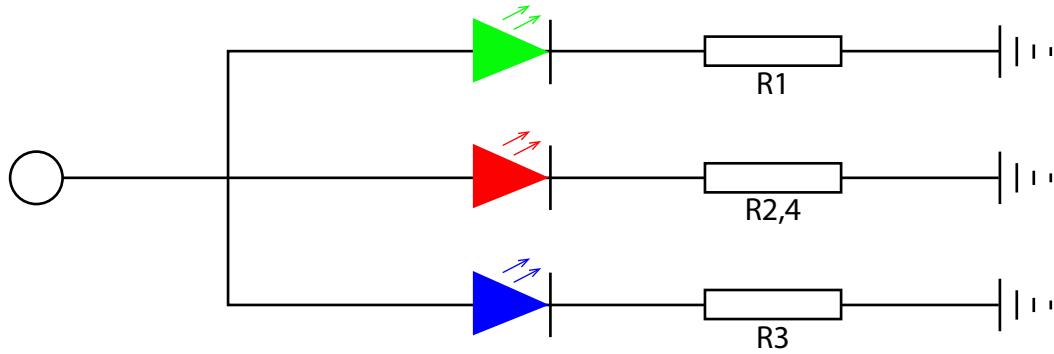
LED STRIP 14,4W / m // CRI>90 // 700lm/m // 60 SMD LED/m  
 DIVIDABLE PER 100mm  
 INCL. 20 MOUNTING BRACKETS  
 EXCL.LED POWER SUPPLY 24V-DC  
 MAX.5m  
 MIN. BEND RADIUS 25mm  
 MIN. BEND DIAMETER 50mm  
 NON REPLACEABLE LEDS

Class:	III	
Weigth:	0.2 KG	
Protection level:	IP20	
Minimum Distance	100mm	
Options:	300 90 331	RGB DRIVER
	300 89 24 150	LED POWER SUPPLY 24V-DC / 150W
	300 89 24 20	LED POWER SUPPLY 24V-DC / 20W
	300 89 24 40	LED POWER SUPPLY 24V-DC / 40W
	300 89 24 60	LED POWER SUPPLY 24V-DC / 60W
	300 92 93 04	LEDFLEX IN RGB SUPPLY CABLE SET
	300 92 93 05	LEDFLEX IN RGB CONNECTION SET
	300 92 93 06	LEDFLEX IN RGB CONNECTION CLIP SET

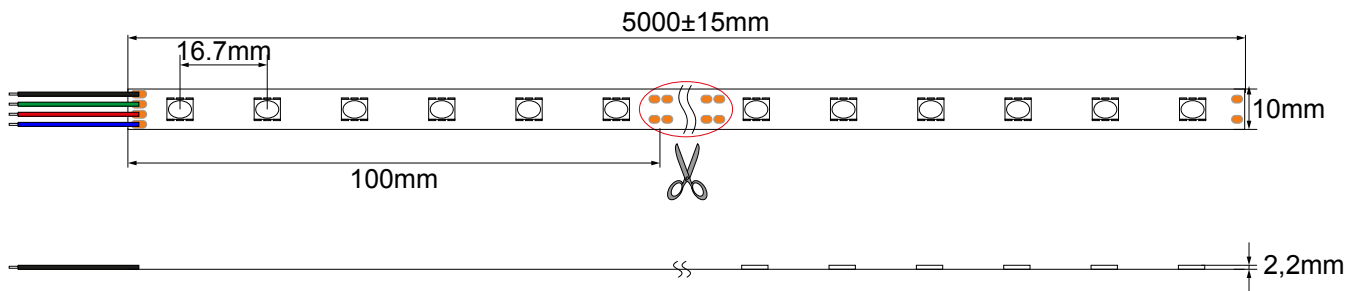
**TECHNICAL DATA**

ITEM	UNIT	DATA		ITEM	UNIT	DATA
<b>LED Type</b>	/	<b>RGB SMD LED</b>		<b>LED quantity / m</b>	<b>PCS</b>	<b>60</b>
<b>LED Brand</b>	/	<b>Epistar dice or equivalent</b>		<b>LED power dissipation / m</b>	<b>W</b>	<b>9.6</b>
<b>Beam angle</b>	201/2	<b>120°</b>		<b>STRIP power dissipation / m</b>	<b>W</b>	<b>14.4</b>
<b>PCB type</b>	Type	/		<b>Luminous flux ( Typical )</b>	<b>lm/m</b>	<b>550-700</b>
<b>Length</b>	M	<b>1</b>		<b>Efficacy (3000K)</b>	<b>lm/W</b>	/
<b>Protection degree</b>	IP	<b>IP20</b>		<b>Operating voltage</b>	<b>V-DC</b>	<b>24</b>
<b>Tape</b>	/	<b>3M 9495 200MP</b>		<b>Operating current / ù</b>	<b>A</b>	<b>1</b>
<b>Color</b>	/	<b>RGB</b>		<b>Ta (Ambient temperature)</b>	<b>°C</b>	<b>-20°C~70°c</b>
	<b>RED</b>	<b>620-630nm</b>	<b>48lm/w</b>	<b>Tc (Surface temperature)</b>	<b>°C</b>	<b>-20°C~60°c</b>
	<b>GREEN</b>	<b>515-525nm</b>	<b>48lm/w</b>	<b>Heatsing</b>	<b>cm<sup>2</sup>/m</b>	<b>432</b>
	<b>BLUE</b>	<b>465-475nm</b>	<b>48lm/w</b>	<b>Waranty period</b>	<b>Year</b>	<b>2</b>
				<b>Lifetime</b>	<b>Hr</b>	<b>30000</b>
				<b>CRI</b>	<b>Ra</b>	/

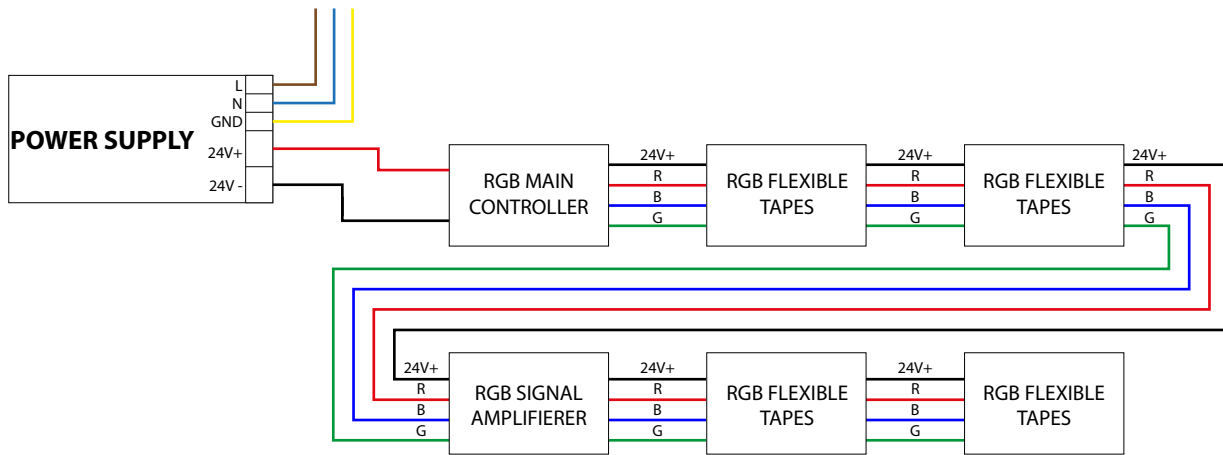
**Layout**



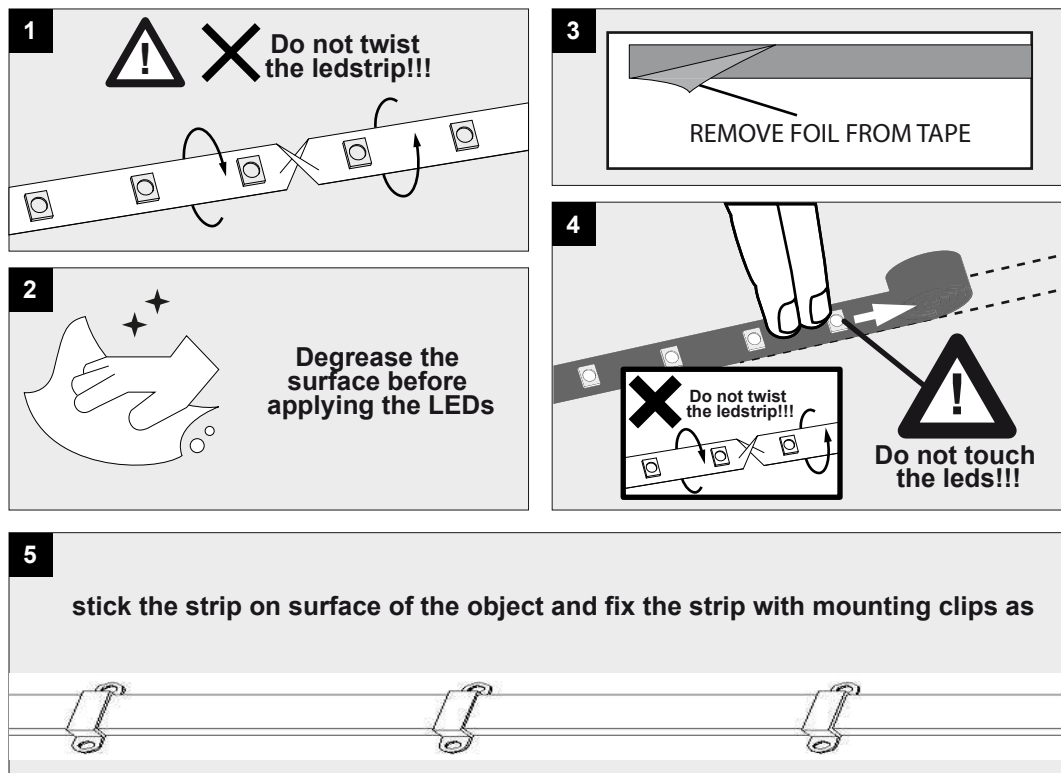
**Outline Drawing**



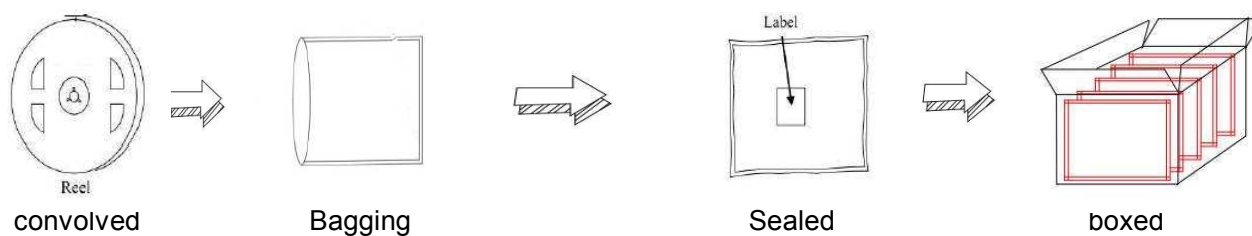
**Connection Diagram**



## Mounting



## Package 5m



## Warning

- ★ Do not cut the strip while connecting to the power supply.
- ★ Do not connect to power higher than the rated voltage.
- ★ Do not twist the strip
- ★ Do not pull the strip
- ★ The LEDs are not replaceable
- ★ The minimal bending radius : 25 mm, diameter = 50 mm
- ★ Do not connect the LED strip with reversed voltage polarity

## Notice

- ※ Power supply used has to be with suitable voltage and current.
- ※ On lighting up the strip, please use power supply with 20% more power rating than the strip's power consumption.