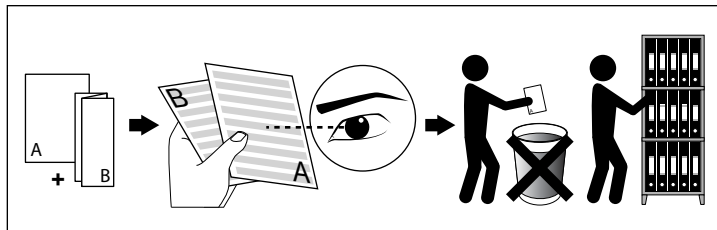


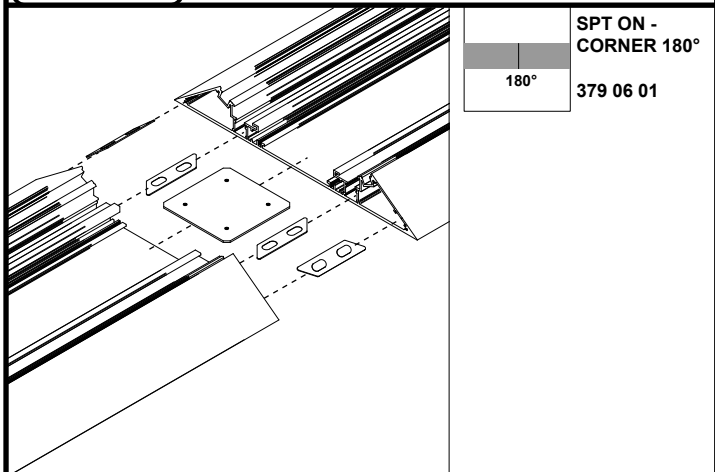
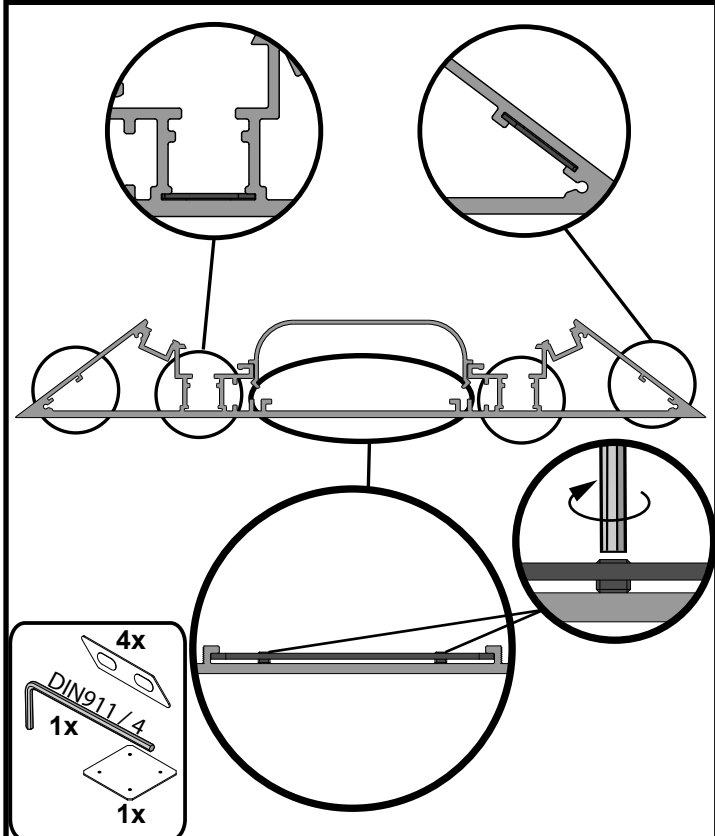
SPT ON - PROFILE

DEEL
PARTIE
TEIL
PART
PARTE
PARTE

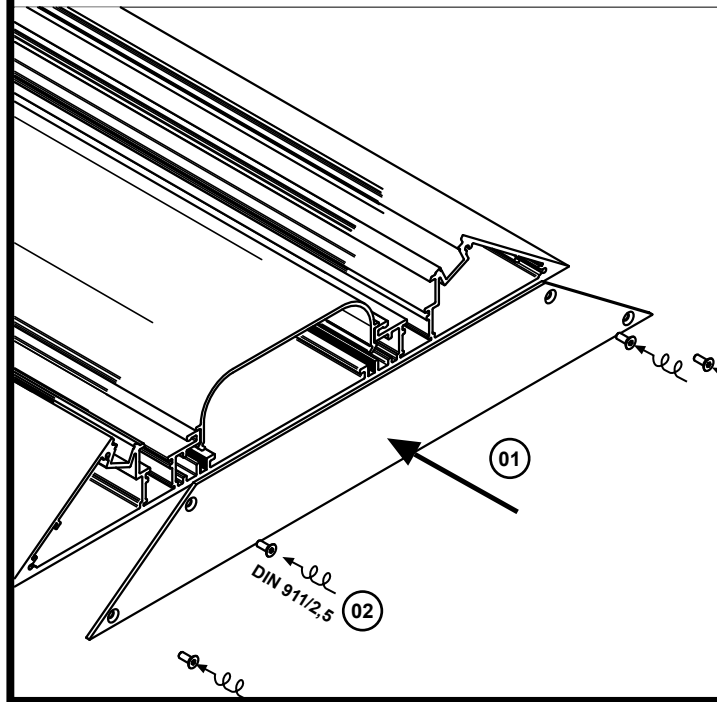
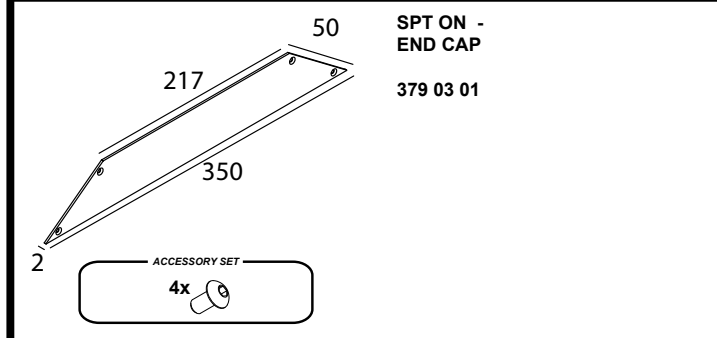
A



CORNERS



END CAP



INSTALLATION

POSITION FOR INSTALLATION

ø30
120

ACCESSORY SET
 1x 1x 4x 4x

SPT ON - DIRECT FIXATION
379 12 00

1

01
DIN 911/3 02

2

02
DIN 911/2,5 01

3

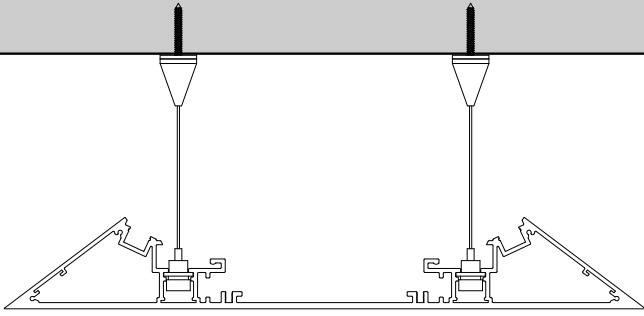
02
"CLICK"
DIN 911/2,5 01

4

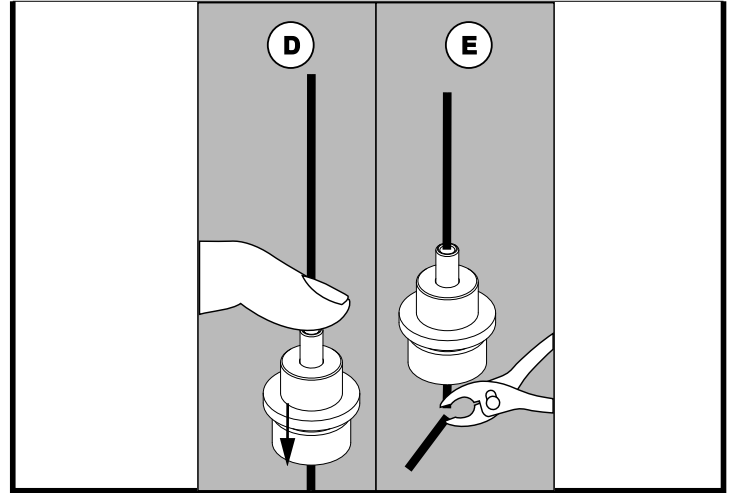
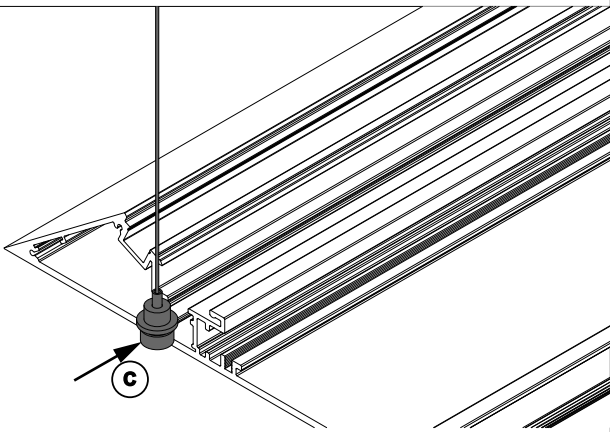
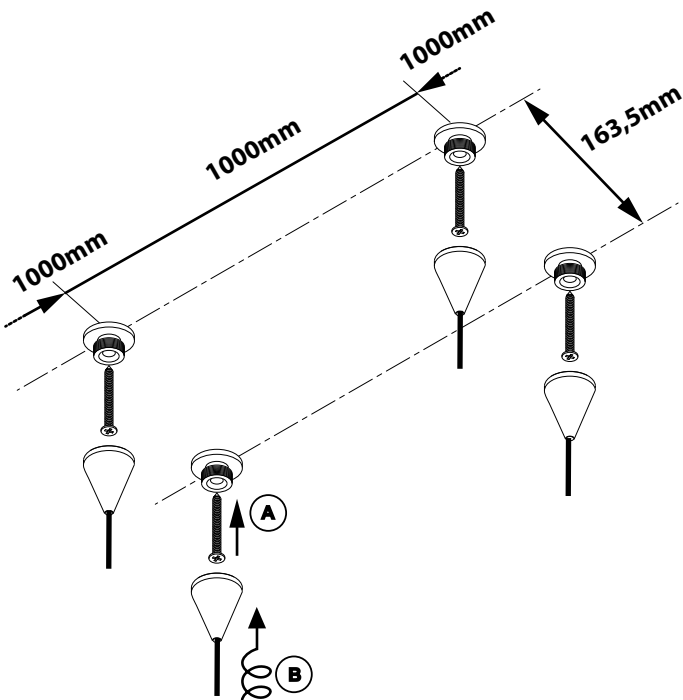
5

01
DIN 911/2,5
02
03

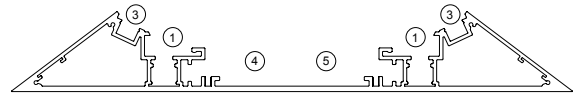
POSITION FOR INSTALLATION



SPT ON - SUSPENSION 21 SINGLE 1,6
379 20 21
SPT ON - SUSPENSION 21 SINGLE 6,0
379 20 26



ELECTRICAL CONNECTION



SPLIT-IT RB50

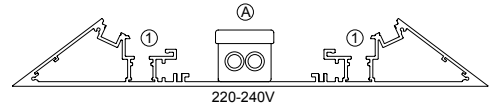
QR-C51
LED SOLUTION

SPLIT-IT RB50 Hi

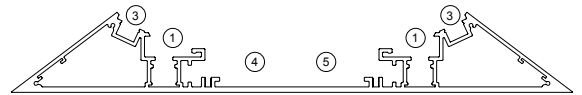
QPAR51
LED SOLUTION

SPLIT-IT RB111

QR-LP111
LED SOLUTION



A
CONNECTION BOX (NOT SUPPLIED)



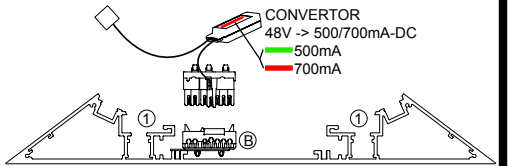
SPLIT-IT SPY
max. 939lm (9,3W)



SPLIT-IT PINTOR 63
max. 939lm (9,3W)



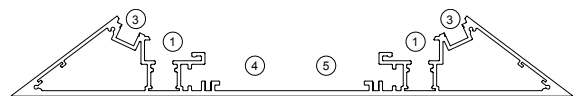
SPLIT-IT PINTOR 90
max. 2810lm (25W)



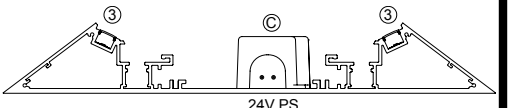
B
THROUGH WIRING 48V-DC

416 99 00
INCL.1 CONNECTOR / 30cm
INCL.5 WIRES:
-48V / +48V / +48V (2 CIRCUITS)
1-10V DIMMING

LED POWER SUPPLY 48V-DC
+
LED CONVERTOR 48V-DC
-> **CURRENT CONTROLLED**
FULL INFO PAG TEC 23



LED FLEX
max. 1800lm / m
22W / m



C
LED POWER SUPPLY 24V
FULL INFO PAG TEC 18

SPT ON DOWN - 1 LED

SPT ON DOWN -
1 LED

379 61 832 / 379 61 822

