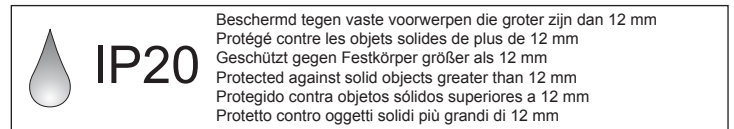
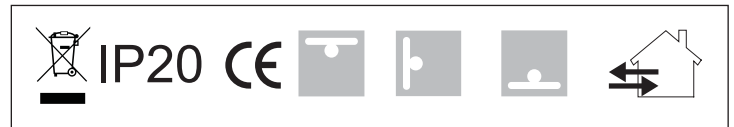
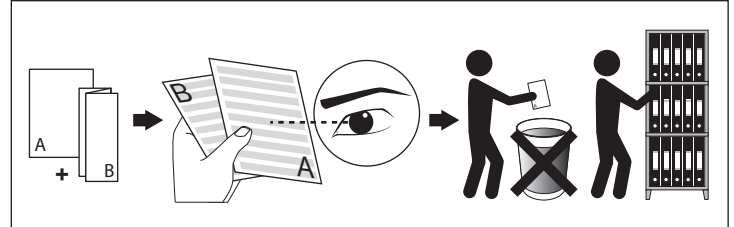


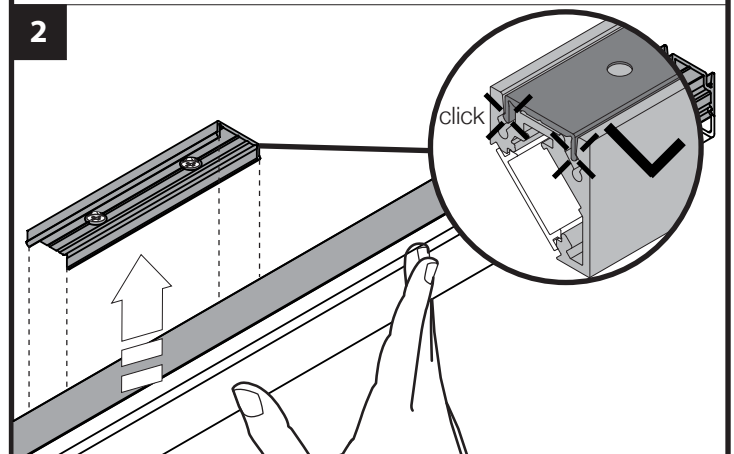
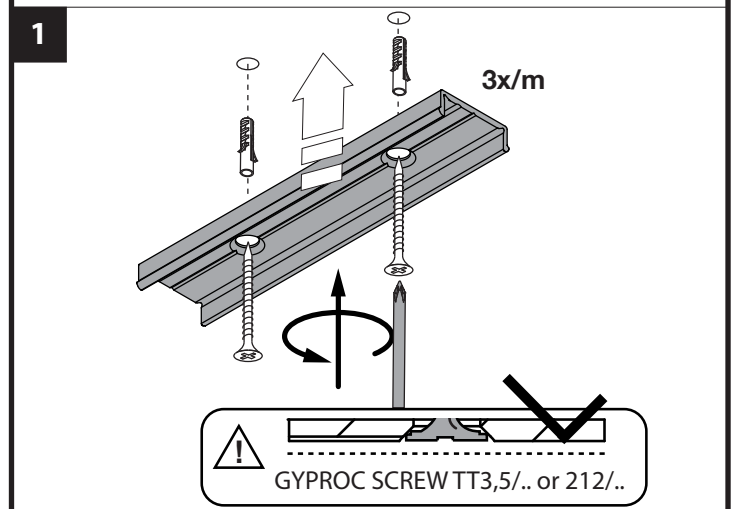
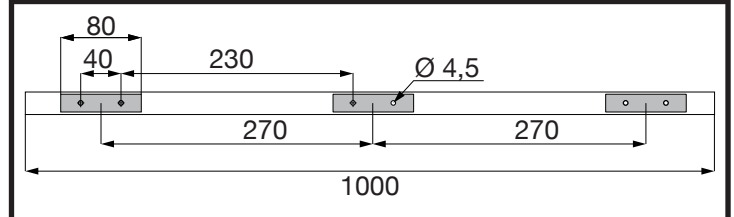
FEMTOLINE 25 TP

DEEL
PARTIE
TEIL
PART
PARTE
PARTE

A

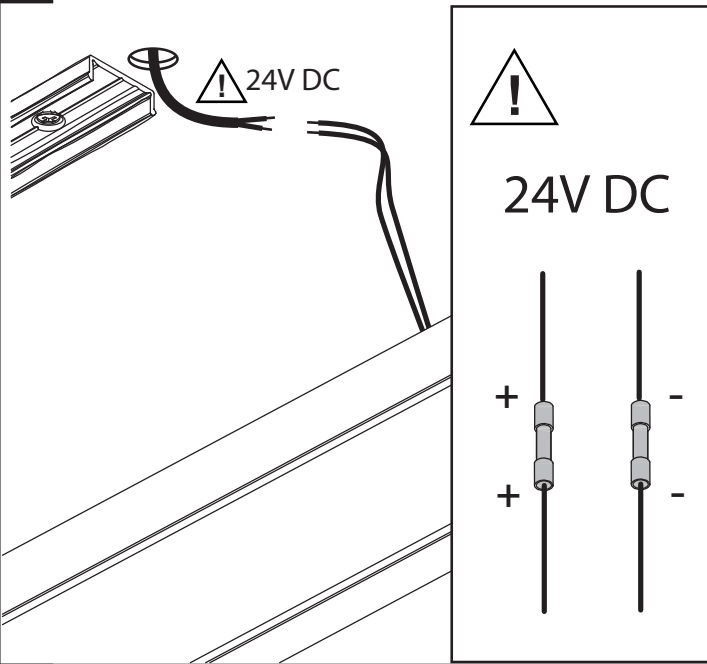


INSTALLATION

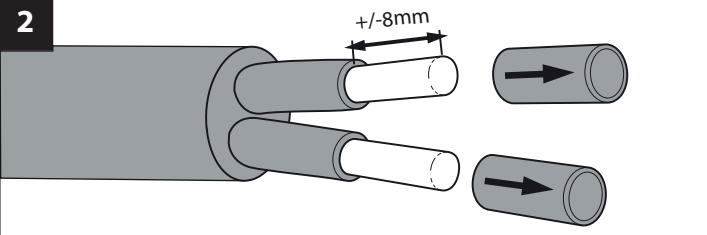


ELECTRICAL CONNECTION

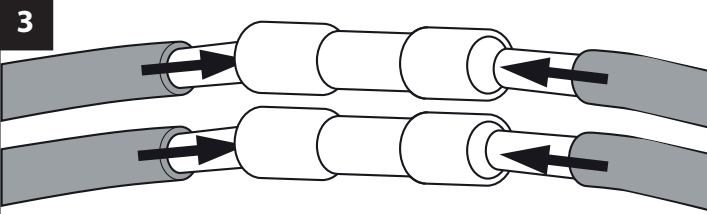
1



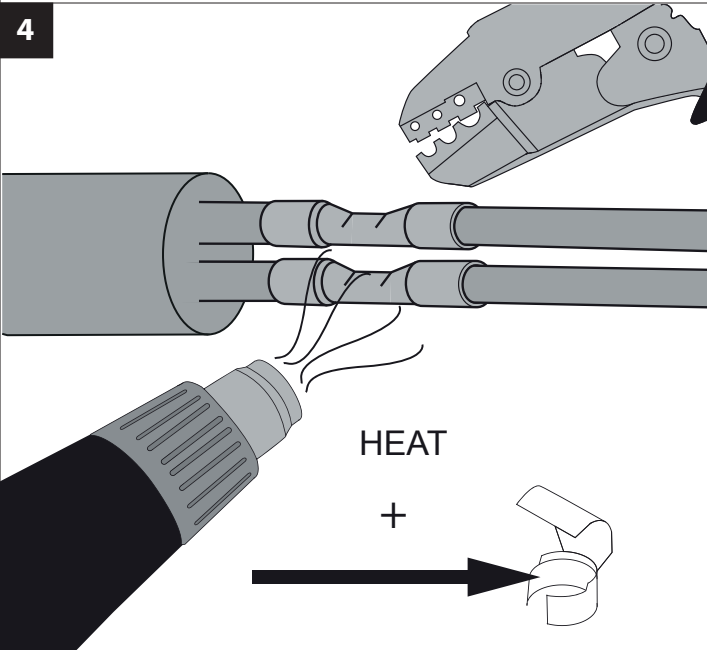
2



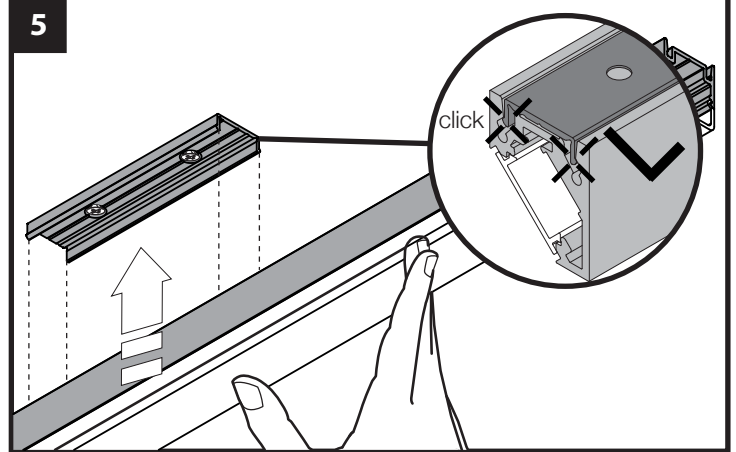
3




4



5



		LEDFLEX 5m - 24V-DC 				
		WHITE		TW 	RGB	
		Dividable per 100mm 70 smd LED/m		Dividable per 50mm 140 smd LED/m	Dividable per 33,3mm 180 smd LED/m	Dividable per 167mm 30 smd LED/m
		5W/m 650lm/m	15W/m 1400lm/m	22W/m 2100lm/m	14,4W/m 1350lm/m	8W/m
 CRI > 90						
4000 K		IN	LEDFLEX IN 940 300 91 52 94	LEDFLEX IN FP 940 300 91 53 94		
		OUT IP65	LEDFLEX OUT 940 300 91 62 94	LEDFLEX OUT FP 940 300 91 63 94		
3000 K		IN	LEDFLEX IN 930 300 91 52 93	LEDFLEX IN FP 930 300 91 53 93	LEDFLEX IN HP 930 300 91 54 93	
		OUT IP65	LEDFLEX OUT 930 300 91 62 93	LEDFLEX OUT FP 930 300 91 63 93		
2700 K		IN	LEDFLEX IN 927 300 91 52 92	LEDFLEX IN FP 927 300 91 53 92	LEDFLEX IN HP 927 300 91 54 92	
		OUT IP65	LEDFLEX OUT 927 300 91 62 92	LEDFLEX OUT FP 927 300 91 63 92		
2700 4000 K		IN			LEDFLEX IN TW 300 91 55 2740	
		OUT IP65				
RGB		IN				LEDFLEX IN RGB 300 91 52 33
		OUT IP65				LEDFLEX OUT RGB 300 91 62 33

FULL INFO / PAG TEC

LED POWER SUPPLY 24V-DC / 20W 300 89 24 20 OPTIONS 24V-DC / 5A DIM UNIT	max.4 m	max.1 m	max.0,9 m	max.1,3 m	⊗ max.2,4 m
LED POWER SUPPLY 24V-DC / 40W 300 89 24 40 OPTIONS 24V-DC / 5A DIM UNIT	max.8 m	max.2,5 m	max.1,8 m	max.2,7 m	⊗ max.5 m
LED POWER SUPPLY 24V-DC / 60W 300 89 24 60 OPTIONS 24V-DC / 5A DIM UNIT	max.12 m	max.4 m (max.3m / Powerline)	max.2,7 m (max.3m / Powerline)	max.4,1 m	⊗ max.7,36 m
LED POWER SUPPLY 24V-DC / 80W DIM1 300 89 24 80	max.16 m	max.5 m (max.3m / Powerline)	max.3,6 m (max.3m / Powerline)	max.5,5 m	
LED POWER SUPPLY 24V-DC / 150W 300 89 24 150 OPTIONS 24V-DC / 5A DIM UNIT	max.30 m	max.10 m (max.3m / Powerline)	max.6,8 m (max.3m / Powerline)	max.10,4 m	⊗ max.18,72 m
LED POWER SUPPLY MULTI POWER DIM7 300 90 60	max.4 m	max.1,3 m	max.0,9 m		
LED POWER SUPPLY MULTI POWER DIM6 300 90 61	max.4 m	max.1,3 m	max.0,9 m		
RGB DRIVER 12/24V-DC 75/150W 300 90 331				⊗ use in combination with Led Power Supply 24V-DC	⊗ use in combination with Led Power Supply 24V-DC
TW TOUCH CONTROLLER DMX 300 90 332				⊗ use in combination with RGB Driver	
RGB TOUCH CONTROLLER DMX 300 90 330					⊗ use in combination with RGB Driver

DIM1: dimming by 1-10V
 DIM6: dimming by push button / falling edge dimmer
 DIM7: dimming by push button / 1-10V