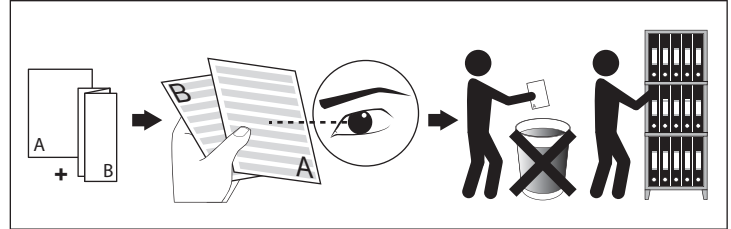


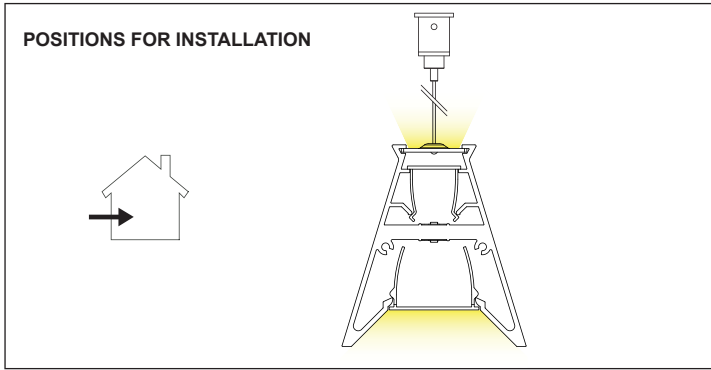
**FEMTOLINE 35 X HE DOWN-UP**

DEEL  
PARTIE  
TEIL  
PART  
PARTE  
PARTE

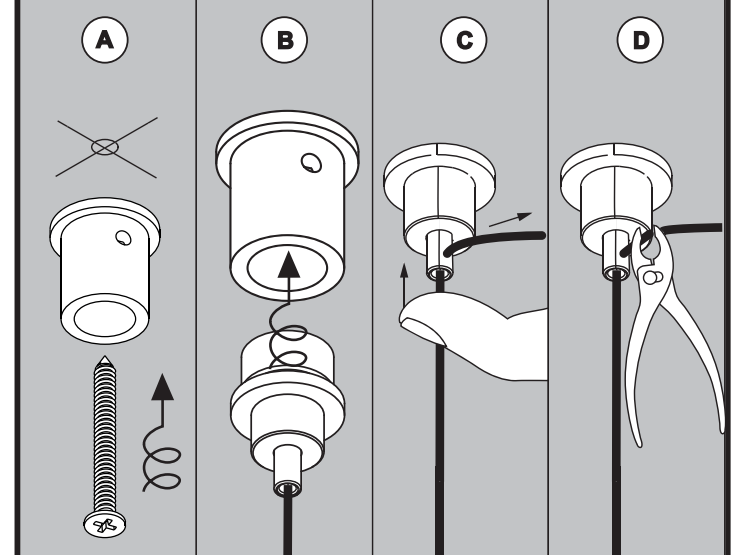
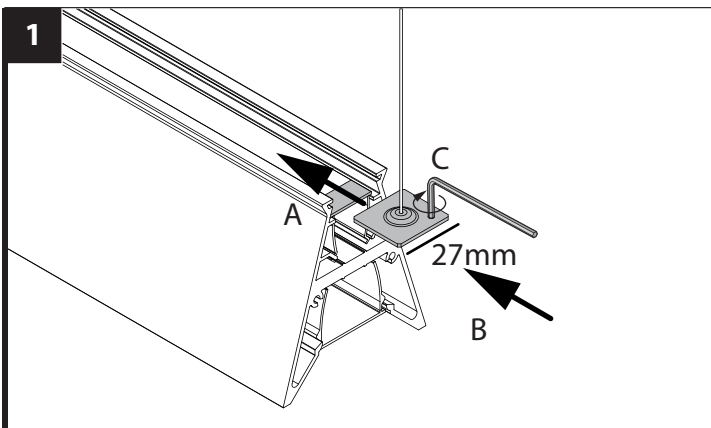
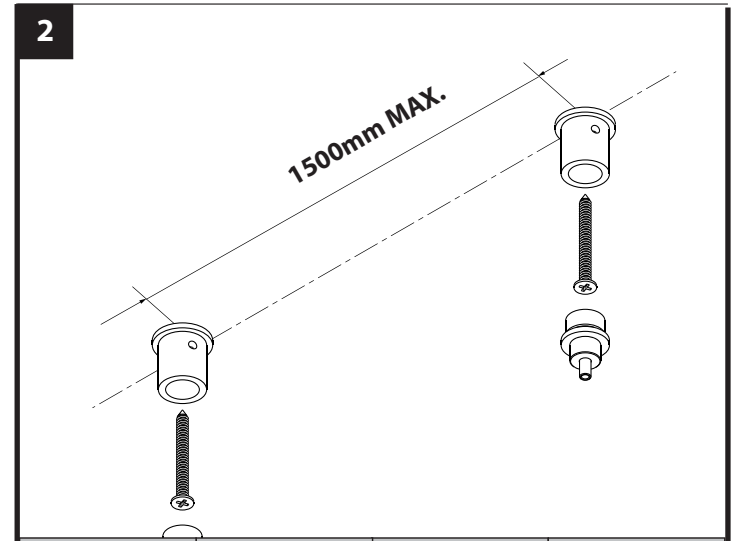
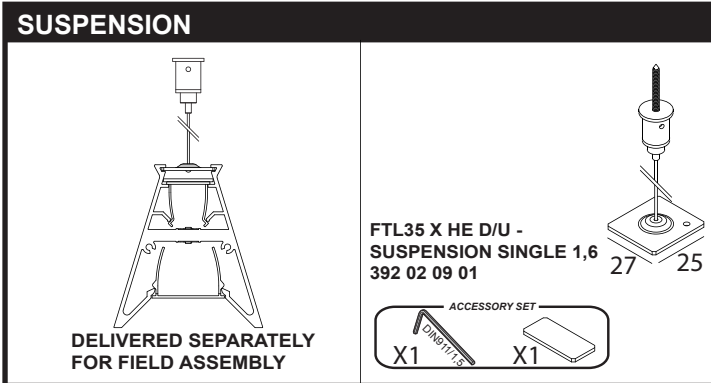
**A**



**IP20**  
 Beschermd tegen vaste voorwerpen die groter zijn dan 12 mm  
 Protégé contre les objets solides de plus de 12 mm  
 Geschützt gegen Festkörper größer als 12 mm  
 Protected against solid objects greater than 12 mm  
 Protegido contra objetos sólidos superiores a 12 mm  
 Protetto contro oggetti solidi più grandi di 12 mm



**III**  
 Enkel geschikt voor toestellen op zeer lage spanning (minder dan 50 V-AC / 120 V-DC)  
 Convient uniquement pour les produits à très basse tension (moins de 50 V-AC / 120 V-DC)  
 Geeignet für Güter mit sehr niedriger Spannung (unter 50 V-AC / 120 V-DC)  
 Only suited for goods at very low voltage (below 50 V-AC / 120 V-DC)  
 Se recomienda únicamente para aquellos productos de tensión muy baja (menos de 50 V-AC / 120 V-DC)  
 Vale unicamente per i prodotti a tensione molto bassa (inferiore a 50 V-AC / 120 V-DC)



### ELECTRICAL CONNECTION

**FACTORY ASSEMBLED**

**CURRENT SUPPLY**  
391 97 51

ACCESSORY SET  
2x DIN/ST/LS X1

**CURRENT SUPPLY**

**LEDS UP**

**LEDS DOWN**

**PROFILE**

**ENDCAP**

### END CAP

**DELIVERED SEPARATELY FOR FIELD ASSEMBLY**

**FTL35 X HE D/U - END CAP SET**  
392 03 03 01

ACCESSORY SET  
X4

**01**

**02**

### PC SBL UP

**FTL35 F HE - PC SBL UP - PROFILE**  
392 02 02 05 SBL

**1**

Length profile - 10mm

**2**

"CLICK"

		FACTORY ASSEMBLED				
		<b>LEDFLEX</b> 5m - 24V-DC [0,3]				
		WHITE		TW <span style="color:red">NEW</span>	RGB	
		Dividable per 100mm 70 smd LED/m	Dividable per 50mm 140 smd LED/m	Dividable per 33,3mm 180 smd LED/m	Dividable per 167mm 30 smd LED/m	
		5W/m 650lm/m	15W/m 1400lm/m	22W/m 2100lm/m	14,4W/m 1350lm/m	8W/m
<span style="color:red">NEW</span> CRI > 90						
4000 K						
	IN	LEDFLEX IN 940 300 91 52 94	LEDFLEX IN FP 940 300 91 53 94			
	OUT IP65	LEDFLEX OUT 940 300 91 62 94	LEDFLEX OUT FP 940 300 91 63 94			
3000 K						
	IN	LEDFLEX IN 930 300 91 52 93	LEDFLEX IN FP 930 300 91 53 93	LEDFLEX IN HP 930 300 91 54 93		
	OUT IP65	LEDFLEX OUT 930 300 91 62 93	LEDFLEX OUT FP 930 300 91 63 93			
2700 K						
	IN	LEDFLEX IN 927 300 91 52 92	LEDFLEX IN FP 927 300 91 53 92	LEDFLEX IN HP 927 300 91 54 92		
	OUT IP65	LEDFLEX OUT 927 300 91 62 92	LEDFLEX OUT FP 927 300 91 63 92			
2700 4000 K						
	IN				LEDFLEX IN TW 300 91 55 2740	
	OUT IP65					
RGB						
	IN					LEDFLEX IN RGB 300 91 52 33
	OUT IP65					LEDFLEX OUT RGB 300 91 62 33
FULL INFO / PAG TEC						
<b>LED POWER SUPPLY 24V-DC / 20W</b> 300 89 24 20 OPTIONS 24V-DC / 5A DIM UNIT		max.4 m	max.1 m	max.0,9 m	max.1,3 m	⊗ max.2,4 m
<b>LED POWER SUPPLY 24V-DC / 40W</b> 300 89 24 40 OPTIONS 24V-DC / 5A DIM UNIT		max.8 m	max.2,5 m	max.1,8 m	max.2,7 m	⊗ max.5 m
<b>LED POWER SUPPLY 24V-DC / 60W</b> 300 89 24 60 OPTIONS 24V-DC / 5A DIM UNIT		max.12 m	max.4 m (max.3m / Powerline)	max.2,7 m (max.3m / Powerline)	max.4,1 m	⊗ max.7,36 m
<b>LED POWER SUPPLY 24V-DC / 80W DIM1</b> 300 89 24 80		max.16 m	max.5 m (max.3m / Powerline)	max.3,6 m (max.3m / Powerline)	max.5,5 m	
<b>LED POWER SUPPLY 24V-DC / 150W</b> 300 89 24 150 OPTIONS 24V-DC / 5A DIM UNIT		max.30 m	max.10 m (max.3m / Powerline)	max.6,8 m (max.3m / Powerline)	max.10,4 m	⊗ max.18,72 m
<b>LED POWER SUPPLY MULTI POWER DIM7</b> 300 90 60		max.4 m	max.1,3 m	max.0,9 m		
<b>LED POWER SUPPLY MULTI POWER DIM6</b> 300 90 61		max.4 m	max.1,3 m	max.0,9 m		
<b>RGB DRIVER 12/24V-DC 75/150W</b> 300 90 331					⊗ use in combination with Led Power Supply 24V-DC	⊗ use in combination with Led Power Supply 24V-DC
<b>TW TOUCH CONTROLLER DMX</b> 300 90 332					⊗ use in combination with RGB Driver	
<b>RGB TOUCH CONTROLLER DMX</b> 300 90 330						⊗ use in combination with RGB Driver

DIM1: dimming by 1-10V  
 DIM6: dimming by push button / falling edge dimmer  
 DIM7: dimming by push button / 1-10V