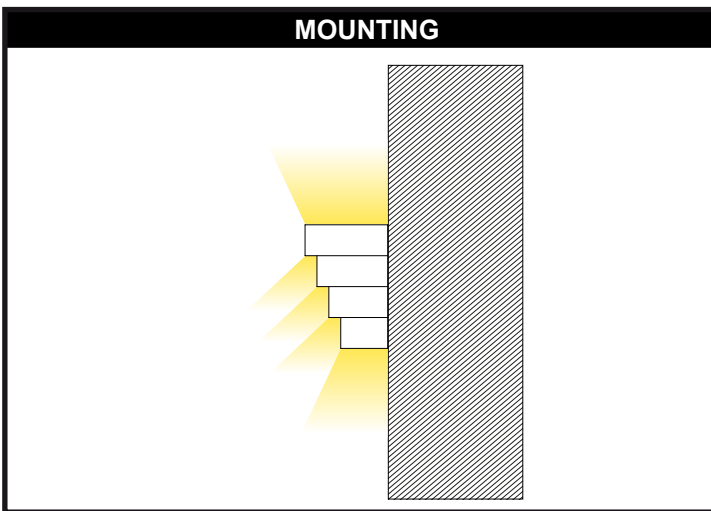


Enkel geschikt voor toestellen op zeer lage spanning (minder dan 50 V-AC / 120 V-DC)
 Convient uniquement pour les produits à très basse tension (moins de 50 V-AC / 120 V-DC)
 Geeignet für Güter mit sehr niedriger Spannung (unter 50 V-AC / 120 V-DC)
 Only suited for goods at very low voltage (below 50 V-AC / 120 V-DC)
 Se recomienda únicamente para aquellos productos de tensión muy baja (menos de 50 V-AC / 120 V-DC)
 Vale unicamente per i prodotti a tensione molto bassa (inferiore a 50 V-AC / 120 V-DC)

IP20
 Beschermtd tegen vaste voorwerpen die groter zijn dan 12 mm
 Protégé contre les objets solides de plus de 12 mm
 Geschützt gegen Festkörper größer als 12 mm
 Protegido contra objetos sólidos superiores a 12 mm
 Protetto contro oggetti solidi più grandi di 12 mm

KSK - PROFILE

KSK - PROFILE
405 00 00



KASKADE - PROFILE

DEEL
PARTIE
TEIL
PART
PARTE
PARTE

A

KSK - END CAP SET

KSK - END CAP SET
405 03 01

ACCESSORY SET
2X 1X /2,5

1

2

ELECTRICAL CONNECTION

ACCESSORY SET
2X

1 +/-8mm

2 + - + -

3

FIXATION

KSK - FIXATION SET
405 14 01

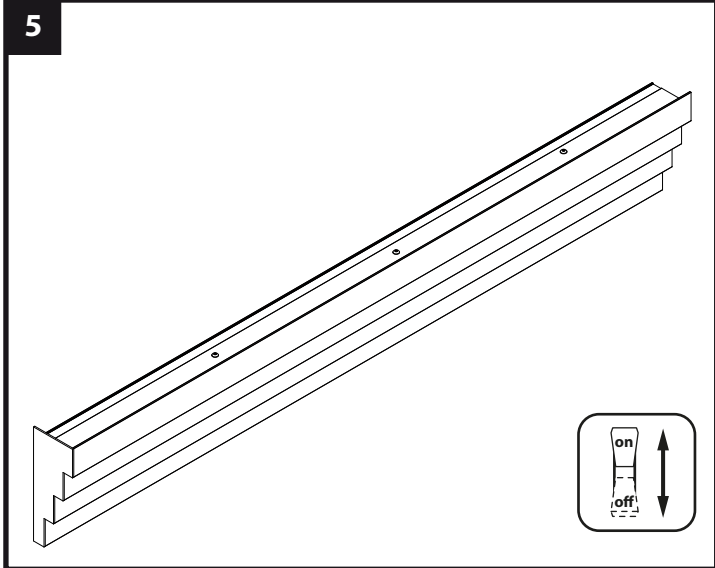
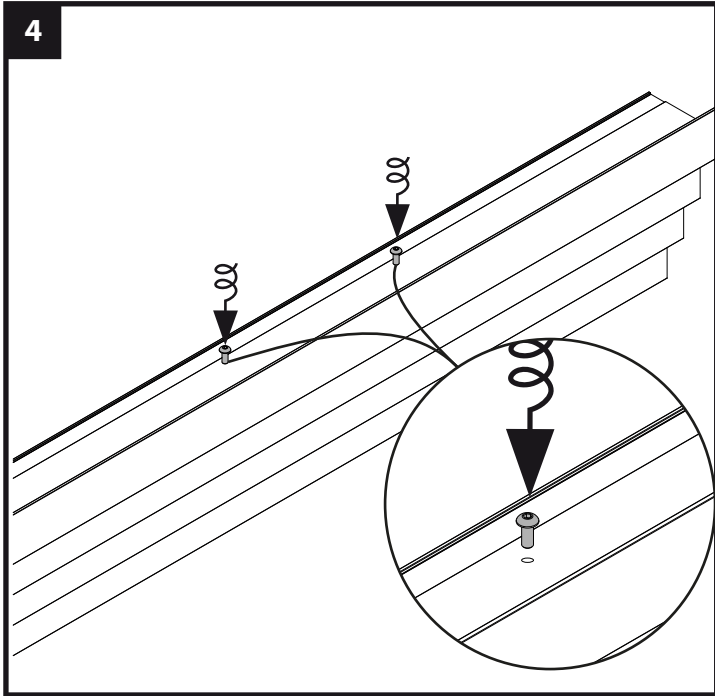
ACCESSORY SET
2X 1X
DIN911
/2,5



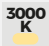
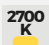


1 X = MAX.1000

1 32 X 32

2 31 X

3 B A



		LEDFLEX			
		5m - 24V-DC			
		0,3			
					
		WHITE	TW	RGB	
		Dividable per 100mm 70 smd LED/m	Dividable per 33,3mm 180 smd LED/m	Dividable per 167mm 30 smd LED/m	
CRI > 90		5,1W/m 560lm/m *	15,1W/m 1400lm/m *	14,4W/m 1350lm/m *	8W/m *
	IN	LEDFLEX IN 940 300 91 52 94	LEDFLEX IN FP 940 300 91 53 94		
	IN	LEDFLEX IN 930 300 91 52 93	LEDFLEX IN FP 930 300 91 53 93		
	IN	LEDFLEX IN 927 300 91 52 92	LEDFLEX IN FP 927 300 91 53 92		
	IN			LEDFLEX IN TW 300 91 55 2740	
	IN				LEDFLEX IN RGB 300 91 52 33

FULL INFO / PAG TEC

LED POWER SUPPLY 24V-DC / 20W 300 89 24 20 OPTIONS 24V-DC / 4A DIM UNIT	max.4 m	max. 1 m	max.1,3 m	⊗ max.2,4 m
LED POWER SUPPLY 24V-DC / 40W 300 89 24 40 OPTIONS 24V-DC / 4A DIM UNIT	max.8 m	max.2,5 m	max.2,7 m	⊗ max.5 m
LED POWER SUPPLY 24V-DC / 60W 300 89 24 60 OPTIONS 24V-DC / 4A DIM UNIT	max.12 m	max.4 m (max.3m / Powerline)	max.4,1 m	⊗ max.7,36 m
LED POWER SUPPLY 24V-DC / 80W DIM1 300 89 24 80 ED1	max.16 m	max.5 m (max.3m / Powerline)	max.5,5 m	
LED POWER SUPPLY 24V-DC / 150W 300 89 24 150 OPTIONS 24V-DC / 4A DIM UNIT	max.30 m	max.10 m (max.3m / Powerline)	max.10,4 m	⊗ max.18,72 m
LED POWER SUPPLY MULTI POWER DIM7 300 90 60	max.4 m	max.1,3 m		
LED POWER SUPPLY MULTI POWER DIM6 300 90 61	max.4 m	max.1,3 m		
RGB DRIVER 12/24V-DC 75/150W 300 90 331			⊗ use in combination with Led Power Supply 24V-DC	⊗ use in combination with Led Power Supply 24V-DC
TW TOUCH CONTROLLER DMX 300 90 332			⊗ use in combination with RGB Driver	
RGB TOUCH CONTROLLER DMX 300 90 330				⊗ use in combination with RGB Driver

DIM1: dimming by 1-10V
DIM6: dimming by push button / falling edge dimmer
DIM7: dimming by push button / 1-10V

*+/- 5%