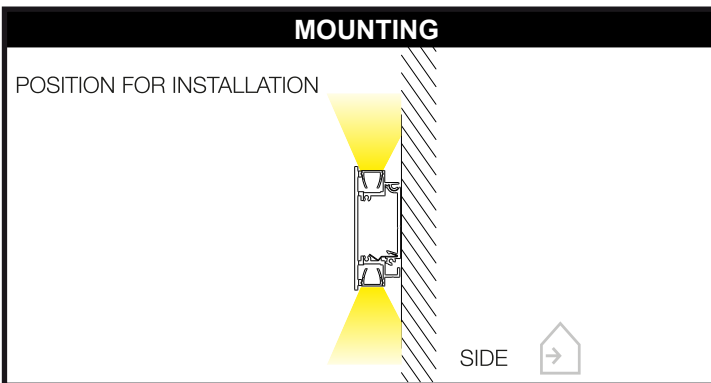
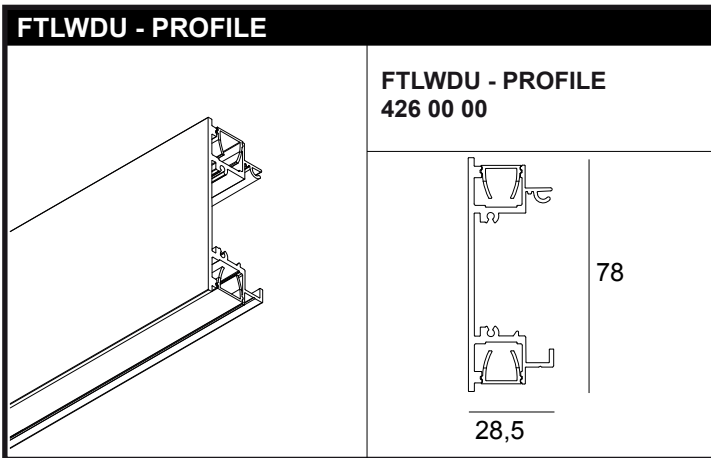


Enkel geschikt voor toestellen op zeer lage spanning (minder dan 50 V-AC / 120 V-DC)
 Convient uniquement pour les produits à très basse tension (moins de 50 V-AC / 120 V-DC)
 Geeignet für Güter mit sehr niedriger Spannung (unter 50 V-AC / 120 V-DC)
 Only suited for goods at very low voltage (below 50 V-AC / 120 V-DC)
 Se recomienda únicamente para aquellos productos de tensión muy baja (menos de 50 V-AC / 120 V-DC)
 Vale unicamente per i prodotti a tensione molto bassa (inferiore a 50 V-AC / 120 V-DC)

Not compatible with Class I devices and not with other companies Class III devices

IP20
 Beschermd tegen vaste voorwerpen die groter zijn dan 12 mm
 Protégé contre les objets solides de plus de 12 mm
 Geschützt gegen Festkörper größer als 12 mm
 Protected against solid objects greater than 12 mm
 Protegido contra objetos sólidos superiores a 12 mm
 Protetto contro oggetti solidi più grandi di 12 mm

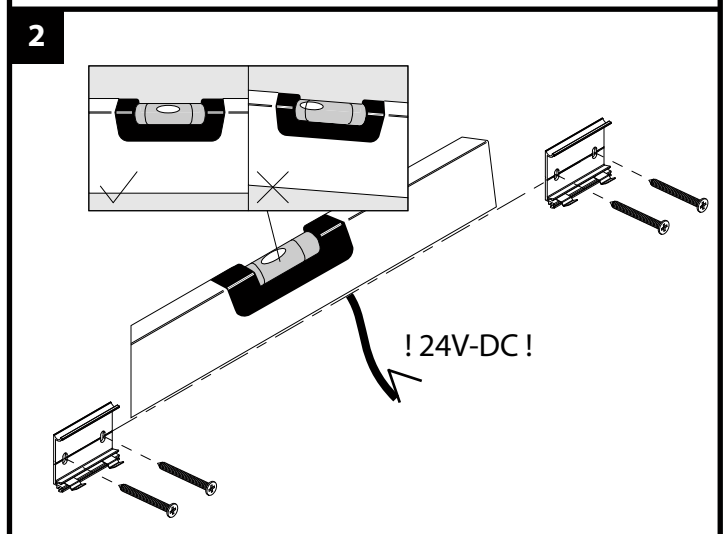
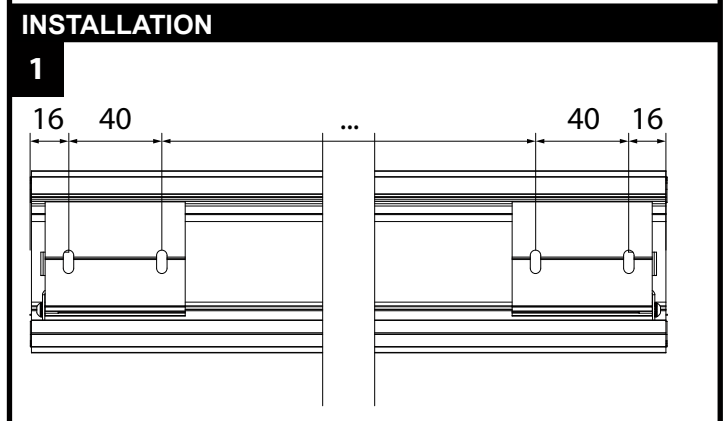
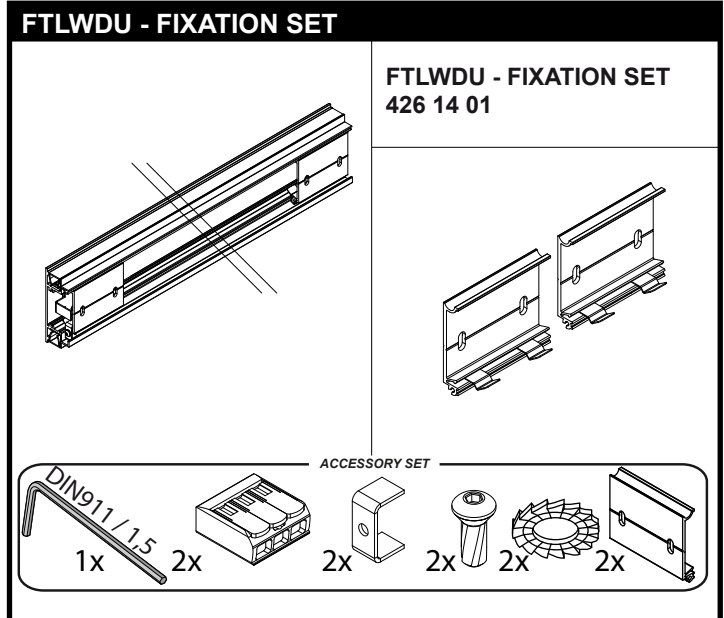
Install suitable means for overload and short-circuit protection according to local installation requirements. (IEC 60364-7-715)

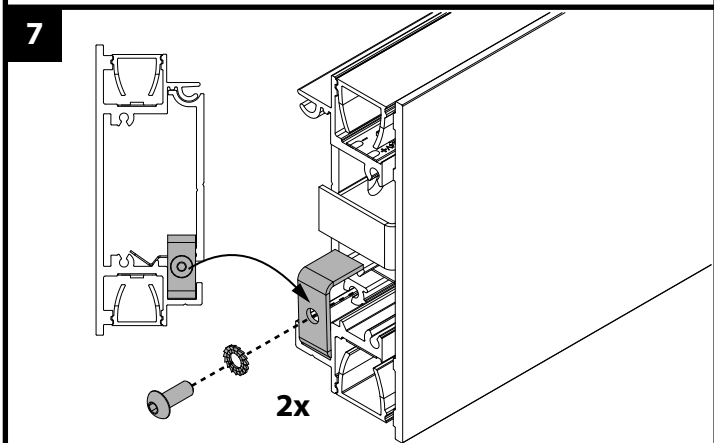
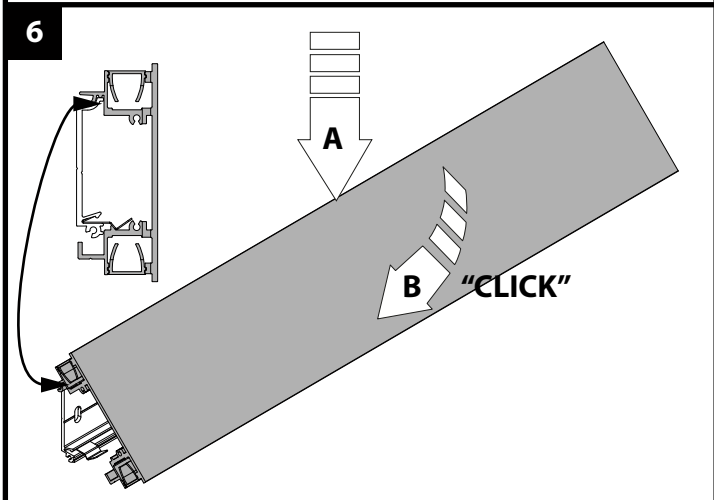
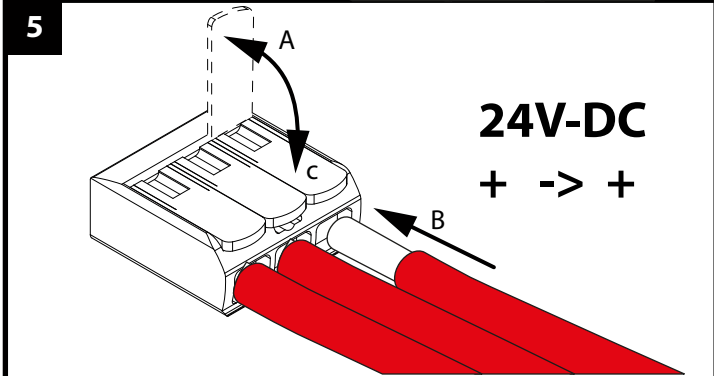
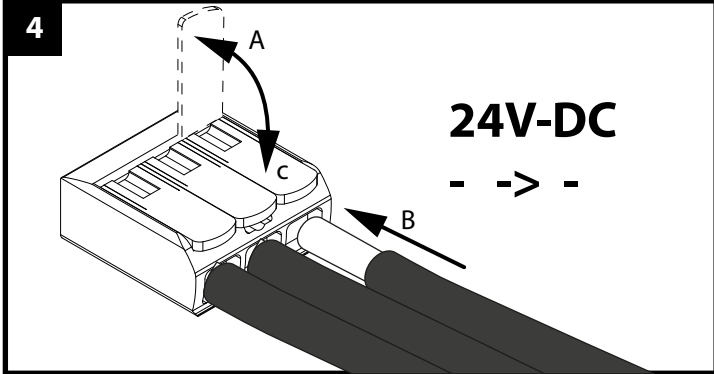
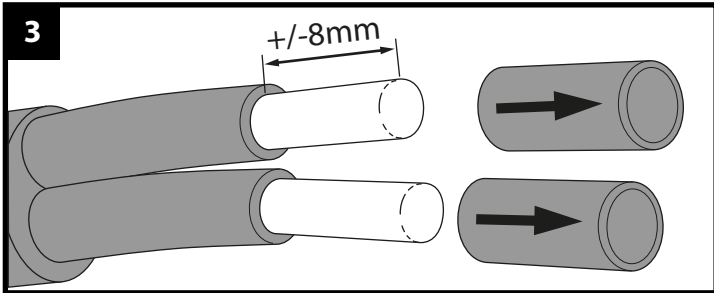


DEEL
 PARTIE
 TEIL
 PART
 PARTE
 PARTE

A

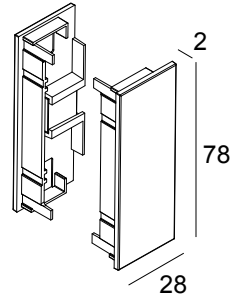
FEMTOLINE W DOWN/UP PROFILE





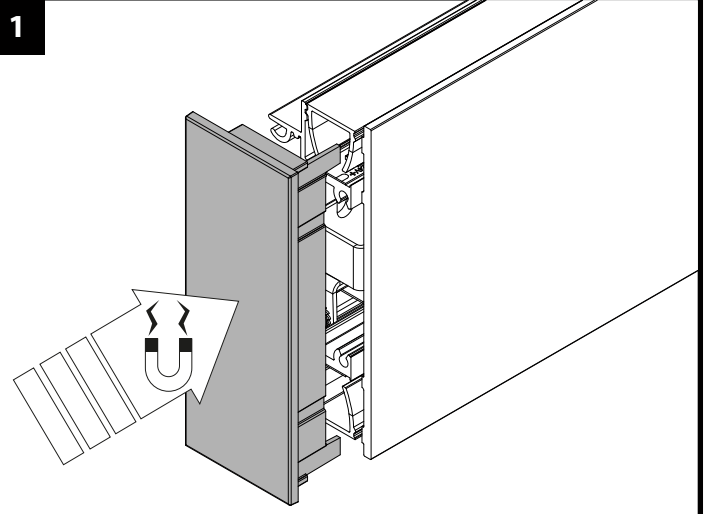
FTLWDU - END CAP SET

FTLWDU - FIXATION SET
426 03 01

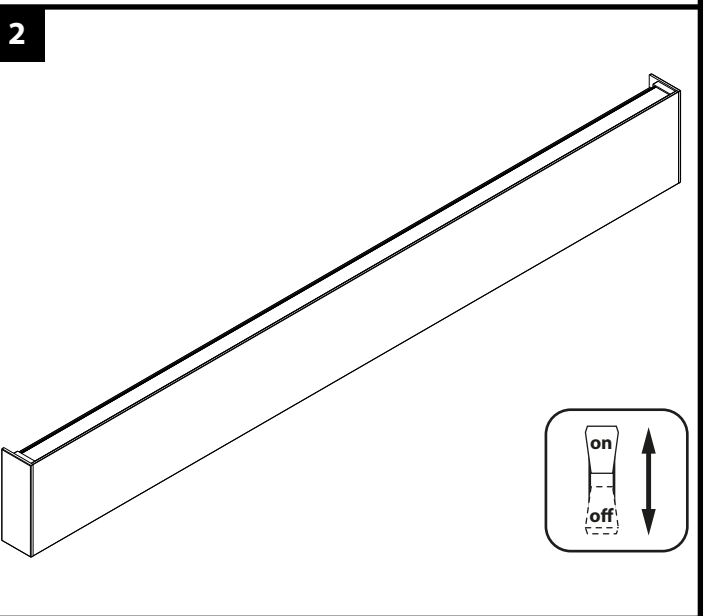


INSTALATION

1



2



FTLWDU - CORNER 180°

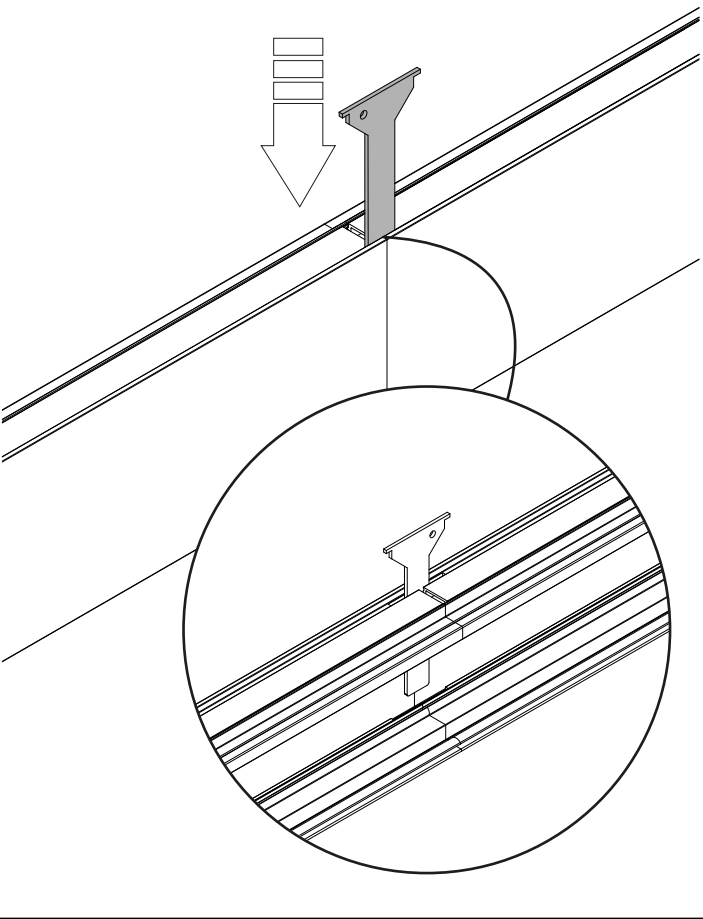
FTLWDU - CORNER 180°
426 06 01


ACCESSORY SET

1x



INSTALLATION



LEDFLEX 5m - 24V-DC 						
		WHITE		TW	RGB	
		Dividable per 100mm 70 smd LED/m		Dividable per 33.3mm 180 smd LED/m	Dividable per 167mm 30 smd LED/m	
CRI > 90		5,1W/m 560lm/m *	15,1W/m 1400lm/m *	21,6W/m 2100lm/m *	14,4W/m 1350lm/m *	8W/m *
4000 K	IN	LEDFLEX IN 940 300 91 52 94	LEDFLEX IN FP 940 300 91 53 94			
	OUT IP65	LEDFLEX OUT 940 300 91 62 94	LEDFLEX OUT FP 940 300 91 63 94			
3000 K	IN	LEDFLEX IN 930 300 91 52 93	LEDFLEX IN FP 930 300 91 53 93	LEDFLEX IN HP 930 300 91 54 93		
	OUT IP65	LEDFLEX OUT 930 300 91 62 93	LEDFLEX OUT FP 930 300 91 63 93			
2700 K	IN	LEDFLEX IN 927 300 91 52 92	LEDFLEX IN FP 927 300 91 53 92	LEDFLEX IN HP 927 300 91 54 92		
	OUT IP65	LEDFLEX OUT 927 300 91 62 92	LEDFLEX OUT FP 927 300 91 63 92			
2700 4000 K	IN				LEDFLEX IN TW 300 91 55 2740	
	OUT IP65					
RGB	IN					LEDFLEX IN RGB 300 91 52 33
	OUT IP65					LEDFLEX OUT RGB 300 91 62 33

FULL INFO / PAG TEC

LED POWER SUPPLY 24V-DC / 20W 300 89 24 20 OPTIONS 24V-DC / 4A DIM UNIT	max.4 m	max.1 m	max.0,9 m	max.1,3 m	⊗ max.2,4 m
LED POWER SUPPLY 24V-DC / 40W 300 89 24 40 OPTIONS 24V-DC / 4A DIM UNIT	max.8 m	max.2,5 m	max.1,8 m	max.2,7 m	⊗ max.5 m
LED POWER SUPPLY 24V-DC / 60W 300 89 24 60 OPTIONS 24V-DC / 4A DIM UNIT	max.12 m	max.4 m (max.3m / Powerline)	max.2,7 m (max.3m / Powerline)	max.4,1 m	⊗ max.7,36 m
LED POWER SUPPLY 24V-DC / 80W DIM1 300 89 24 80 ED1	max.16 m	max.5 m (max.3m / Powerline)	max.3,6 m (max.3m / Powerline)	max.5,5 m	
LED POWER SUPPLY 24V-DC / 150W 300 89 24 150 OPTIONS 24V-DC / 4A DIM UNIT	max.30 m	max.10 m (max.3m / Powerline)	max.6,8 m (max.3m / Powerline)	max.10,4 m	⊗ max.18,72 m
LED POWER SUPPLY MULTI POWER DIM7 300 90 60	max.4 m	max.1,3 m	max.0,9 m		
LED POWER SUPPLY MULTI POWER DIM6 300 90 61	max.4 m	max.1,3 m	max.0,9 m		
RGB DRIVER 12/24V-DC 75/150W 300 90 331				⊗ use in combination with Led Power Supply 24V-DC	⊗ use in combination with Led Power Supply 24V-DC
TW TOUCH CONTROLLER DMX 300 90 332				⊗ use in combinati- on with RGB Driver	
RGB TOUCH CONTROLLER DMX 300 90 330					⊗ use in combinati- on with RGB Driver

DIM1: dimming by 1-10V
 DIM6: dimming by push button / falling edge dimmer
 DIM7: dimming by push button / 1-10V

* +/- 5%