

Sapphire 18W 650mA LED Driver

Dimmable via DALI



www.dignet.net.au



Range

DGLC650C18DD



Overview

High quality, Australian designed LED driver delivering 650mA at 12V DC to 21V DC. The driver includes a DALI line connection for control of the connected LED light source. The LED light output level can be controlled via DALI from 100% to 0.1%.

Features

350mA, 500mA, 650mA and 700mA
constant current variants

DALI control input

Dimming range (via DALI) from
100% to 0.1%

DC output open circuit and short
circuit detection, protection and
reporting, in accordance with the
DALI standard, IEC 62386-207

Automatic recovery from DC output
open circuit and short circuit
conditions

Active thermal wind-back with Gerard
Lighting LED lamps to protect against
LED damage due to overheating

Fully compatible with Gerard Lighting
LED lamps, including Sunset Dim
lamps and Constant Colour lamps

Fully tested to and complies with
DALI standards IEC 62386-102 and
IEC 62386-207 (using a DALI-AG
approved tester, using test sequences
version 1.1.)

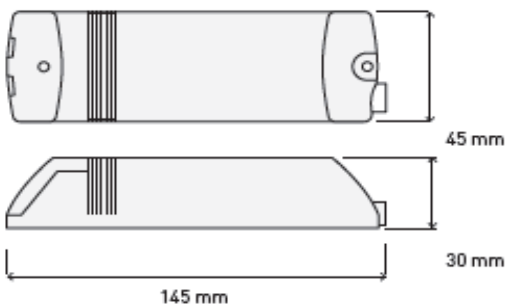
Full support for both DALI fast
and slow fade times, as defined by
the DALI standards

High Power Factor (≥ 0.95)

Pre-terminated DC lead for quick
installation

Cable strain relief for DC and
mains wiring

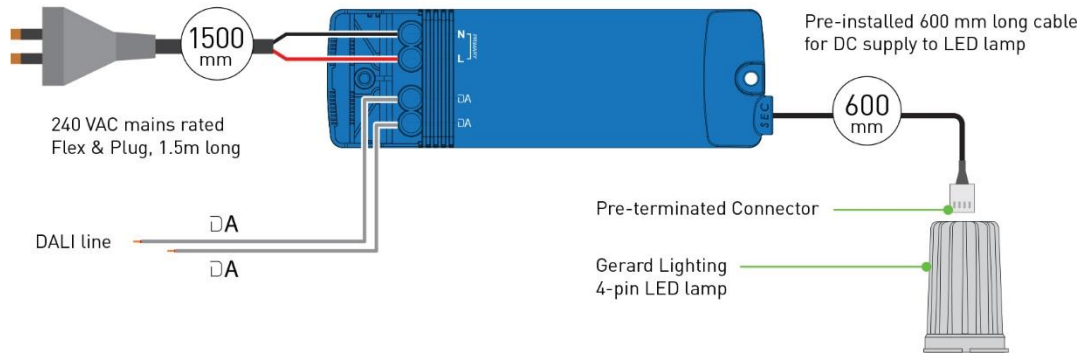
Dimensions



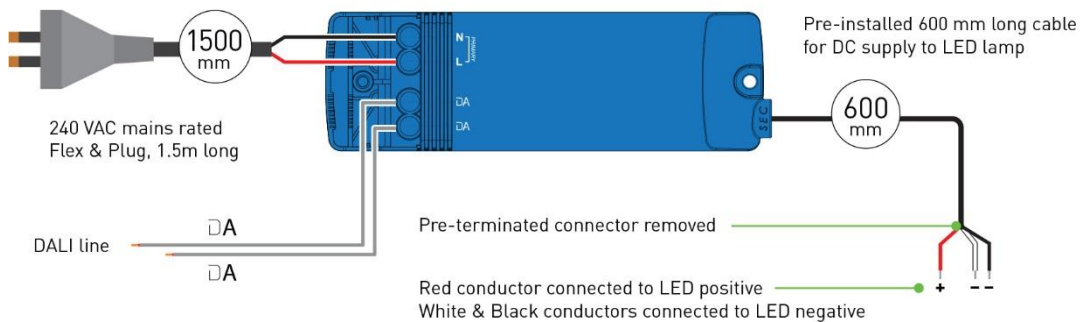


Driver Connections

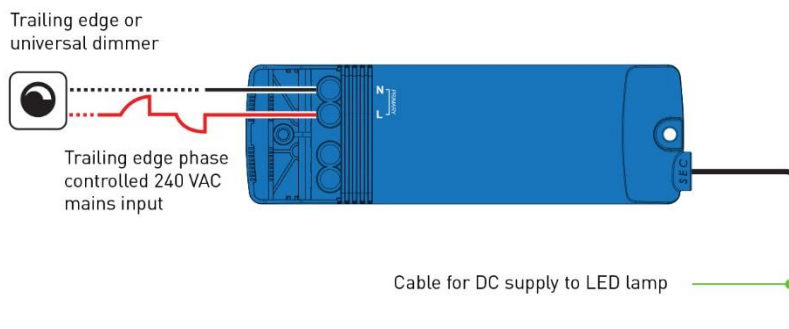
Driver connections to Gerard Lighting lamp



Driver connections to 3rd party lamp



Trailing edge phase dimmer input to control dimming level of connected LED lamp





Sapphire 18W 350mA LED Driver

Dimmable via DALI

Specifications

Electrical	
Nominal Mains Supply Voltage	220-240V dc
Nominal Mains Supply Frequency	50/60Hz
Input Current	75mA @ 240V typical
Maximum Input Power	18W
Input PF	≥0.95 typical
Input THD	<15% typical
Rated Output Current	CC Mode: 650mA CV Mode: 300mA
Nominal Output Voltage Range	12-21V dc (6 to 10 LEDs)
Working Output Voltage Limits	10V dc – 24V dc
Line Voltage Regulation	100%
Nominal No-load Output Voltage	35V
Short-Circuit Output Current	<100mA average
Short-Circuit Load	Auto-recover
Efficiency at Maximum Load	73%
Off-state Standby Power	1W
Dimming Range	0.1%-100%
Maximum Turn-on Delay	0.3 Sec

Mechanical	
Housing material	Flame Retardant Polycarbonate
Fixing	1 x 4mm diameter fixing hole
DC output cable	600mm long, pre-terminated 3-core cable with 4-way connector to suit Gerard Lighting LED lamps
Mains connection cable	1.5m long, pre-terminated with Australian/NZ 240V ac 10A mains plug
Mains Terminals	2 x 2.5mm ² maximum per terminal or 3 x 1.5mm ² maximum per terminal
DALI Terminals	2 x 2.5mm ² maximum per terminal or 3 x 1.5mm ² maximum per terminal
Weight	230g

Environmental	
Ambient Operating Temperature	0°C to +50°C
Maximum Case Temperature	85°C (@ ta=50°C)
Operating Humidity	< 95% RH non condensing
IP Rating	IP20

Approvals & Compliance

IP20  

CONTACT INFORMATION

Web: www.diginet.net.au
 General Enquiries: 1300 95 DALI (3254) sales@diginet.net.au
 Technical Services: 1300 95 3244 support@diginet.net.au
 Fax: 1300 95 3257

PRODUCT OF DIGINET CONTROL SYSTEMS PTY LTD

ABN – 89 095 788 864
 96-112 Gow Street
 Padstow NSW 2211

A MEMBER OF THE GERARD LIGHTING GROUP

The product includes a **FIVE-YEAR WARRANTY** against manufacturing defects. Fully warranty terms can be found here www.diginet.net.au

COPYRIGHT. ©This document is copyright to Diginet Control Systems Pty Ltd. Except as permitted under relevant law, no part of this user and installation guide may be reproduced by any process without written permission of and acknowledgement to Diginet. **DISCLAIMER.** Diginet Control Systems Pty Ltd (Diginet) reserves the right to alter the specifications, designs or other features of any items and to discontinue any items at any time without notice and without liability. While every effort is made to ensure that all information in this user and installation guide is correct, no warranty of accuracy is given and Diginet shall not be liable for any error. **TRADEMARKS.** The identified trademarks and copyrights are the property of Diginet Control Systems Pty Ltd unless otherwise noted.